

HD8756/01-09



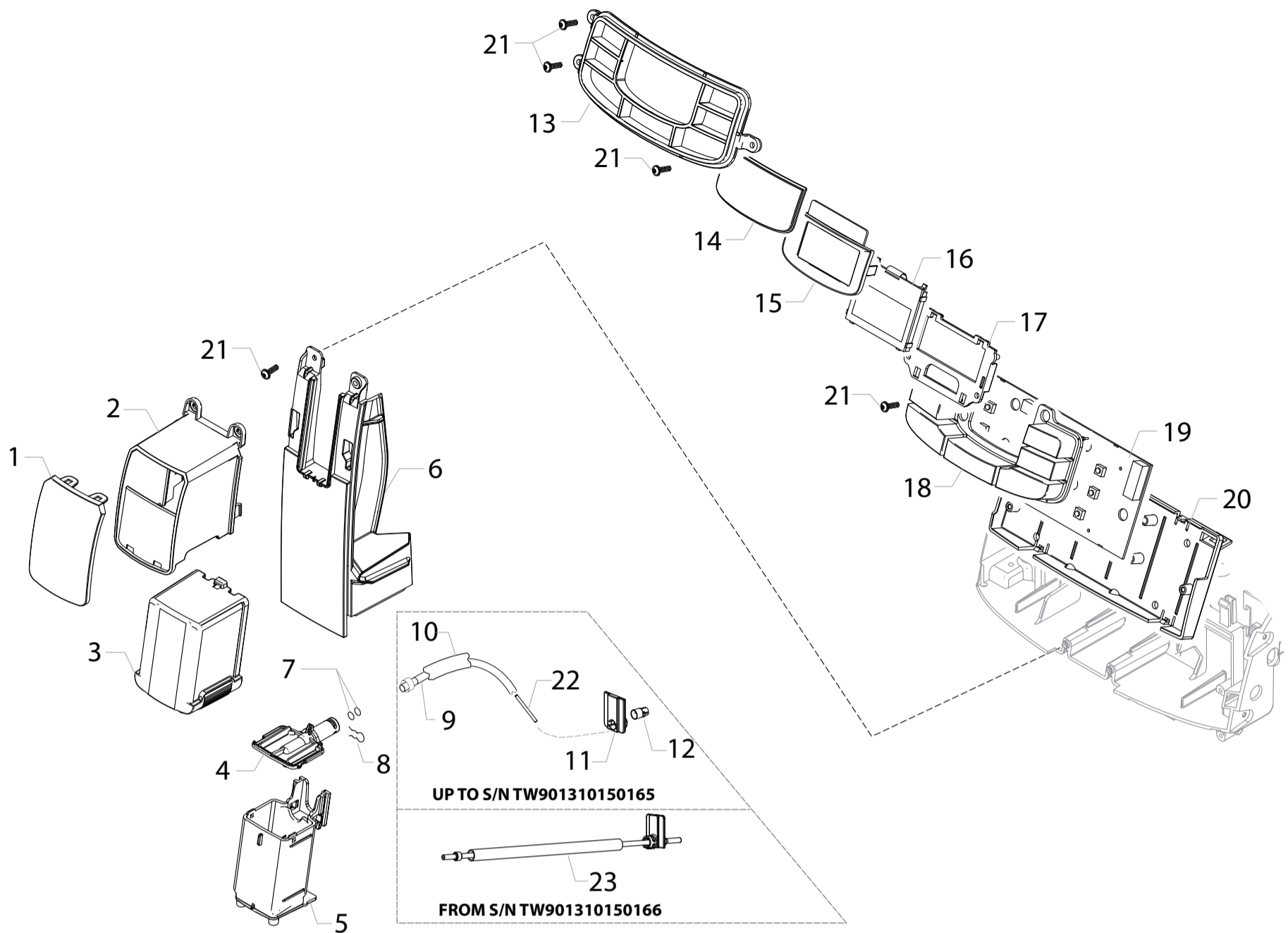
Cod.10004321-31

POS	CODE	12NC	DESCRIPTION	NOTE	POS	CODE	12NC	DESCRIPTION	NOTE
01		421946017941	KLUBERLUB NH1 11-222 TUBE 5GR.		35	12001883	996530072437	CUP SOCKET V3 EN 60320 C 13	
02		NOT AVAILABLE	DOCUMENT.DVD V2 NPR INTELIA/INTUITAASSY		36		NOT AVAILABLE	BLK CASING BOTTOM V3A NPR/T	
03		421946001591	BLK POWER CABLE SCHUKO L=800		37	17001240	996530068714	BLACK REAR CASING NPR	
04		421944033301	BLK ABS COFFEE MEASURE SMART		38	17001484	996530068728	BLACK REAR CASING PROGRAM.INSERT NPR	
05	127390100	996530011867	BRUSH FOR CLEANING		39		421941229373	CPU+SW V3 NPR/H-P 230V ASSY.	
06	0301.961	996530039604	STICKER FOR WATER HARDNESS TEST		40		421944017971	BLK PWR/CPU BOARD PROTECTION V2 P0057	
07	17001245	996530068681	NAT/GREY BEAN COFFEE CONTAIN.LID NPR/H-T		41		421944022751	BLK HINGE FOR REAR CASING XSM	
08	17001244	996530068685	NAT/GREY GROUND COFFEE HOPPER LID NPR		42		421944022731	BLK HINGE FOR DOOR RIGHT SIDE XSM	
09	17001234	996530068743	NAT/GREY BEAN COFFEE CONTAINER NPR		43	20007026	996530069832	KIT PS-E INSERT FOR BOX NPR/T	
10	11030729	996530072896	BA/SS-MATT/BLK UPP.CASING COV.NPR/H ASSY		44	13001630	996530072869	FLEXO.BOX NRP/HC SAE INTEL.	CLASS+THE.WE
11	11030590	996530072885	MATT/BLACK FRONT PANEL S/SCR.NPR/H-P			13001641	996530072887	FLEXO.BOX NRP/HC SAE INTEL.	CLASS+THE.CEE
12	11026290	996530068757	CHROM.FRONT PANEL CAP NPR/H-P		45		421944058831	BLK COF.GRINDER SOUNDPROOFING COV.V3 NPR	
13	17001299	996530068729	BLACK LEFT SIDE CASING NPR		46	12000450	996530007819	SCREW TCBR TORX 10 3,5X12 PLAST.ZN-N	
14	11030130	996530072415	BLK COFFEE GRINDER SUPP.PLATE V2 NPR/H-P		47	129914002	996530013165	SCREW TCB TORX 10 3,5X16 PLAST.ZN-B	
15		421941282512	BLK CASING BOTTOM INSERT V2 NPR		48	17000064	996530067437	BLK CAPACIT.SENSOR DEADLOCK INSERT XSM	
16	17001110	996530068723	BLACK DRIP TRAY GUIDE NPR		49	12001890	996530073209	MICROSWITCH XG/V3D	
17	147622800	996530016875	TRANSPARENT SILICONE FOOT		50	12001728	996530070321	SCREW TCBR TORX 10 3,5X12 PLAST.SS	
			<b>UP TO S/N TW901420291211</b>		51	11030801	996530072934	SS THERMOS TESTED RYL ASSY.	CLASS
		421324705256	FOOT		52	17000819	996530068547	BLK THERM.MILK INTAKE TUBE CONN.INS.RYL	CLASS
			<b>FROM S/N TW901420291212</b>		53	229363300	996530031597	SILICONE TUBE 3,5X6 L=145 MM	CLASS
18	11030534	996530072525	MATT/BLACK DUMP BOX NPR/H-P		54	17001459	996530068727	BLK CAP.MILK TUBE CONNECT.D=1,05 NPR/H	CLASS
19	11030489	996530072526	MATT/BLACK DRIP TRAY NPR/H-P		55	11013220	996530069857	STEEL PLATE FOR DOOR MAGNET XSM	
20	11013184	996530006683	RED FLOAT FOR DRIP TRAY XSM		56	9161.111	996530050555	MAGNET FOR FLOAT SUPERAUT.	
21	11027821	996530068683	BA/SS GRATE FOR DRIP TRAY NPR/H		57		421941308821	KIT SP.COMPONENTS WATER CONTAINERS ASSY	
22		421944040061	BLK LID FOR WATER CONT.VALVE V2 P0049					<b>UP TO S/N. TU901606010609</b>	
			<b>FROM S/N. TU901606010610</b>						
23		421944040781	BLK GASKET FOR WATER CONT.VALVE V2 P0049						
			<b>FROM S/N. TU901606010610</b>						
24		421944040071	BLK WATER CONT.VALVE INSERT V2 P0049						
			<b>FROM S/N. TU901606010610</b>						
25	11003672	996530001831	SS SPRING FOR WATER CONTAIN.VALVE P0049						
26	140328461	996530013571	OR ORM 0190-10 EPDM						
27	224640200	996530029115	WHITE WATER CONTAINER EXT.FILTER ASSY.						
28		421944056301	NAT/GRY WATER CONTAINER V2 NPR ASSY						
29	11030535	996530072456	MATT/BLACK WATER TANK FRONT COVER NPR						
30		421944040591	M/BLK RIGHT SIDE DOOR V4 NPR						
31	11003232	996530001522	AS.CPU+SW WATER LEVEL SENSOR V2	230V					
32		421946000081	3P.CONN.WATER LEVEL V2 CLP UL ASSY.						
33	17001179	996530068749	BLK CAPACIT.SENSOR LOCKING INSERT NPR						
34		242212625107	SWI POW 2P 16A 250V FASTON IEC 1552 B						



SAE INTELIA CLASS MAT

TABLE 1/6



HD8756/01-09

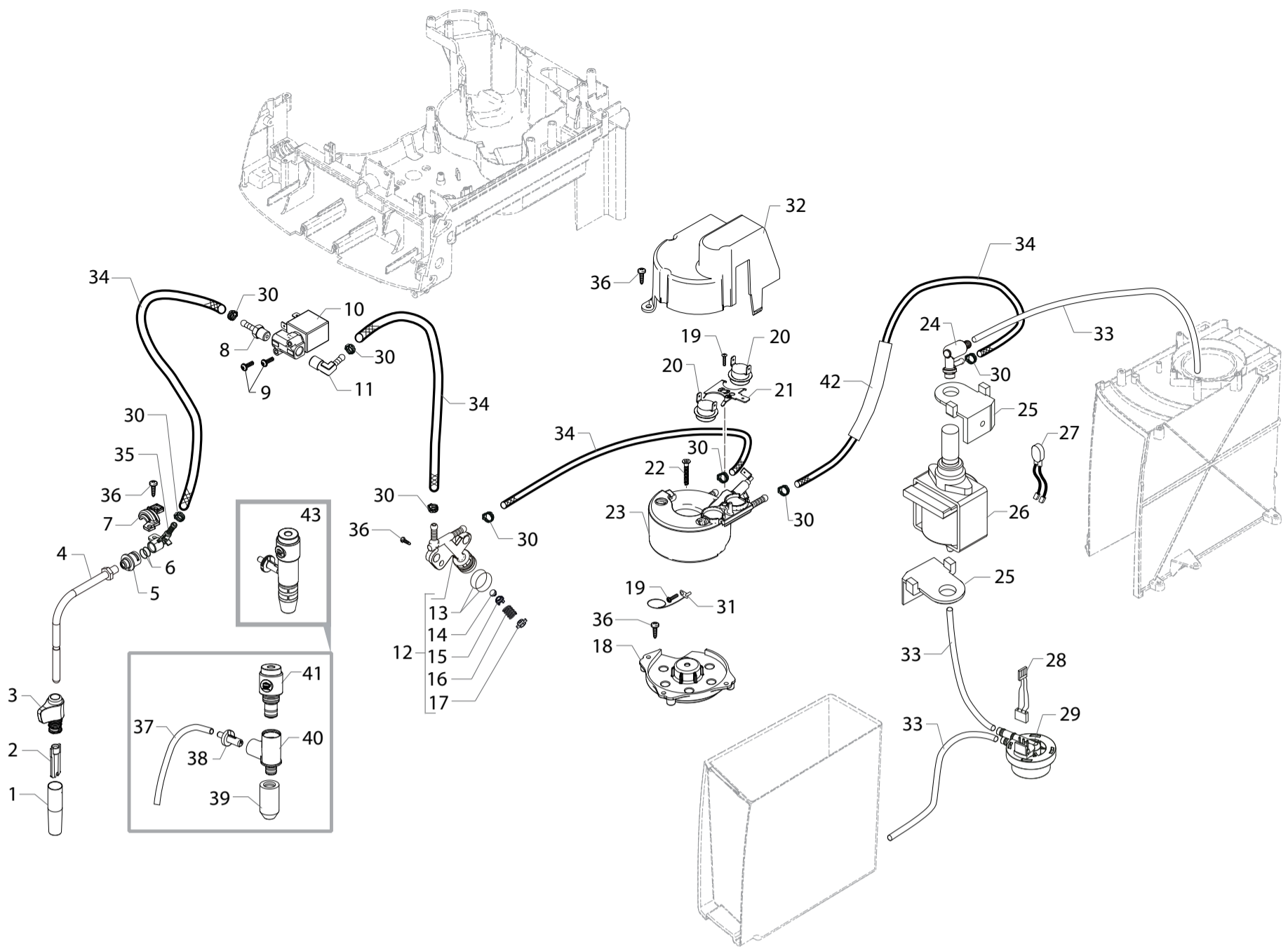


Cod.10004321-31

POS	CODE	12NC	DESCRIPTION	NOTE	POS	CODE	12NC	DESCRIPTION	NOTE
01	11030532	996530072509	MATT/BLK COF.DISPENS.FRONT PLATE NPR/H-P						
02	11030531	996530072512	MATT/BLACK COFFEE DISPENSER LID NPR						
03	17001242	996530068698	BLACK COFFEE DISPENSER MOBILE PART NPR						
04	17001246	996530068742	BLACK COFFEE DISPENSER BODY LID NPR						
05	17001894	996530071881	BLACK COFFEE DISPENSER BODY V2 NPR						
06	11030536	996530072527	MATT/BLACK FRONT CASING COVER V2 NPR						
07	140328059	996530013564	OR 2015 SILICONE PTFE/FDA						
08	9011.144	996530048885	SS FORK FOR TUBE D=4						
09	11004132	996530002073	TEFLON TUBE 2X4 L=250 MM ASSY.						
10	149361200	996530018278	BLACK SILICONE TUBE 7,5X9,3	IN ROLL					
11	11005100	996530002748	PLATE FOR BUSH TEFLON TUBE 2X4 P124						
12	11005101	996530002749	BLACK BUSH FOR TEFLON TUBE 2X4 P124						
13	11029834	996530072465	CRC TOUCH PANEL FRAME NPR/H-P						
14	17001112	996530068675	TRANSP.GLASS FOR DISPLAY NPR						
15	17001111	996530068673	BLACK DISPLAY FRAME NPR						
16		421941300941	DISPLAY LCD 128X64 SMR						
17	17001100	996530068682	BLACK DISPLAY SUPPORT NPR						
18	11026293	996530068753	SILVER 6BUTTONS TOUCH PANEL S/SCR.NPR/P						
19	11025830	996530068721	KYB - INTERFACE NPR/H-T						
20	11030078	996530071879	BLACK DISPLAY KEYBOARD SUPPORT V2 NPR						
21	12000450	996530007819	SCREW TCBR TORX 10 3,5X12 PLAST.ZN-N						
22	17000266	996530071774	SS.L=22,6MM INT.BUSH FOR TEFLON TUBE D4						
23	11031203	996530073357	TEFL.TUBE 2X4 L=235+PLATE+2BUSH NPR ASSY FROM S/N TW901310150166						



SAE INTELIA CLASS MAT



HD8756/01-09



Cod.10004321-31

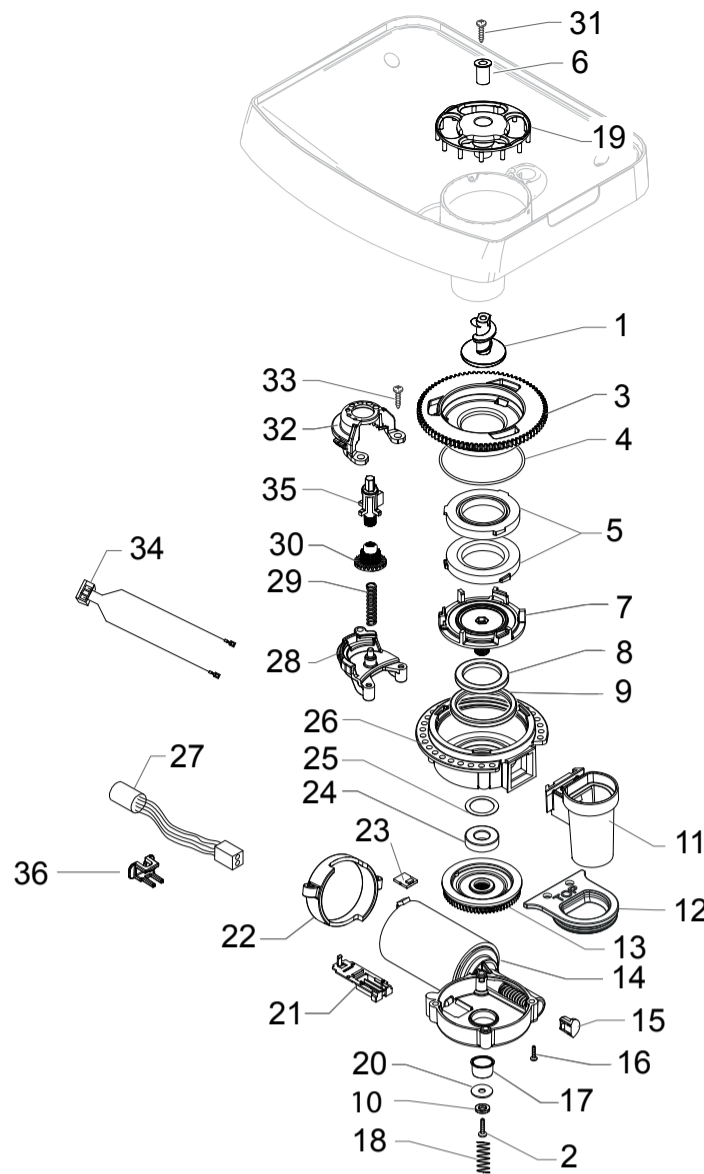
POS	CODE	12NC	DESCRIPTION	NOTE	POS	CODE	12NC	DESCRIPTION	NOTE
01	11001769	996530001012	BLACK PANNARELLO COVER P0049	FOCUS	38	17001459	996530068727	BLK CAP.MILK TUBE CONNECT.D=1,05 NPR/H	CLASS
02	11001620	996530000925	BLACK PANNARELLO INNER TUBE P0049	FOCUS	39	20007021	996530068684	SPARES KIT SS/BLK CAPP.LOWER PART NPR/H	CLASS
03		421941300671	BLACK/SIL.STEAM TUBE HANDGRIP G0053	FOCUS	40	20007022	996530068692	SPARES KIT SS/BLK CAPP.UPPER PART NPR/H	CLASS
04	11027861	996530068662	TF/CHROM.STEAM TUBE D=5,4 NPR ASSY.		41	11026707	996530068055	BLACK STEAM TUBE HANDGRIP S/SCR.NPR/H	CLASS
05	11011127	996530005979	BLACK PA6 BUSH FOR STEAM TUBE P0057		42	16000540	996530009523	TRANSPAR.11X12,8 SILICONE TUBE	IN ROLL
06	140324461	996530013509	OR ORM 0060-20 TERMOIL		43	20007321	996530073663	KIT 2 CAPPUC.NPR/H BLK/INOX	CLASS
07	11013894	996530006914	BLACK FORK FOR STEAM TUBE GXSM						
08	11024868	996530070371	L-F/BRASS CONNECT.FOR ALUM.BOILER			11026286	996530068717	HP/SLIM TUB.BOILER STD 1900W 230V ASSY.	COMPLETE
09	129823802	996530013077	TCB SCREW M4X8 UNI 7687 ZNP					WITH PART.N°19-20-21-23-31	
10		421944008781	2WAY EV OT57 G1/8 F.X PG D5,9 24V DC 10W						
11	11024469	996530067632	L-F/BRASS CONNECTOR FOR BOILER AURA						
12	17000114	996530068077	FLOW SELECTOR FAUCET NPR						
13	12000893	996530007948	OR ORM 0120-20 BLACK EPDM						
14	11008104	996530004722	MUSHROOM VALVE FOR FLOW SELECTOR P0057						
15	11008105	996530004723	FLOW SELECTOR VALVE SUPPORT P0057						
16	11008077	996530004709	STEEL FLOW SELECTOR VALVE SPRING P0057						
17	11008106	996530004724	FLOW SELECTOR VALVE CAP P0057						
18		421941215942	BLK SLIM/EXSL TUB.BOILER SUPPORT V2						
19	12001715	996530069758	SCREW TCB TORX 20 M4X8 AUTOFORMING ZN-B						
20	12001033	996530007973	THERMOSTAT ONE SHOT 190°						
21	11001751	996530000997	TUB.BOILER V3 UPPER THERM.FIXING SPRING						
22	12001280	996530008024	SCREW TSP TORX 10 5X20 PLAST.ZN-B						
23	17000346	996530068751	HP/SLIM TUB.BOILER ASSY.	230V 1900W					
24	11004689	996530002484	TEA/BRASS SAFETY VALVE 16-18 BAR ASSY.						
25	149205850	996530018056	BLACK TYPE ULKA PUMP W/BEVEL SUPPORT						
26		421941305991	ULKA PUMP EP5FMGW 230V-50HZ	230V-50HZ					
27		421946000131	2P.CONN.PUMP V2 CLP UL ASSY.						
28	17800229	996530068671	3POLES CONNECTOR FLOWMETER CLP UL						
29	NV99.099	996530059843	TURBINE D=1,2 932-8521/00 ASSY.						
30	12000892	996530007947	OETIKER CLAMP D=9,5 16700004						
31	190800100	996530026997	TEMPERATURE SENSOR NTC UL L=280MM						
32		421941284802	GRY BOILER INSULATING COVER NPR						
33	JS01.022	996530057357	SILICONE TUBE 5X10 60SH	IN ROLL					
34	16000380	996530009505	5X8,9 SILICONE TUBE	IN ROLL					
35		421944028161	STEAM TUBE SUPPORT PPS P0057						
36	12000450	996530007819	SCREW TCB TORX 10 3,5X12 PLAST.ZN-N						
37	229363500	996530031599	SILICONE TUBE 3,5X6 L=400 MM	CLASS					



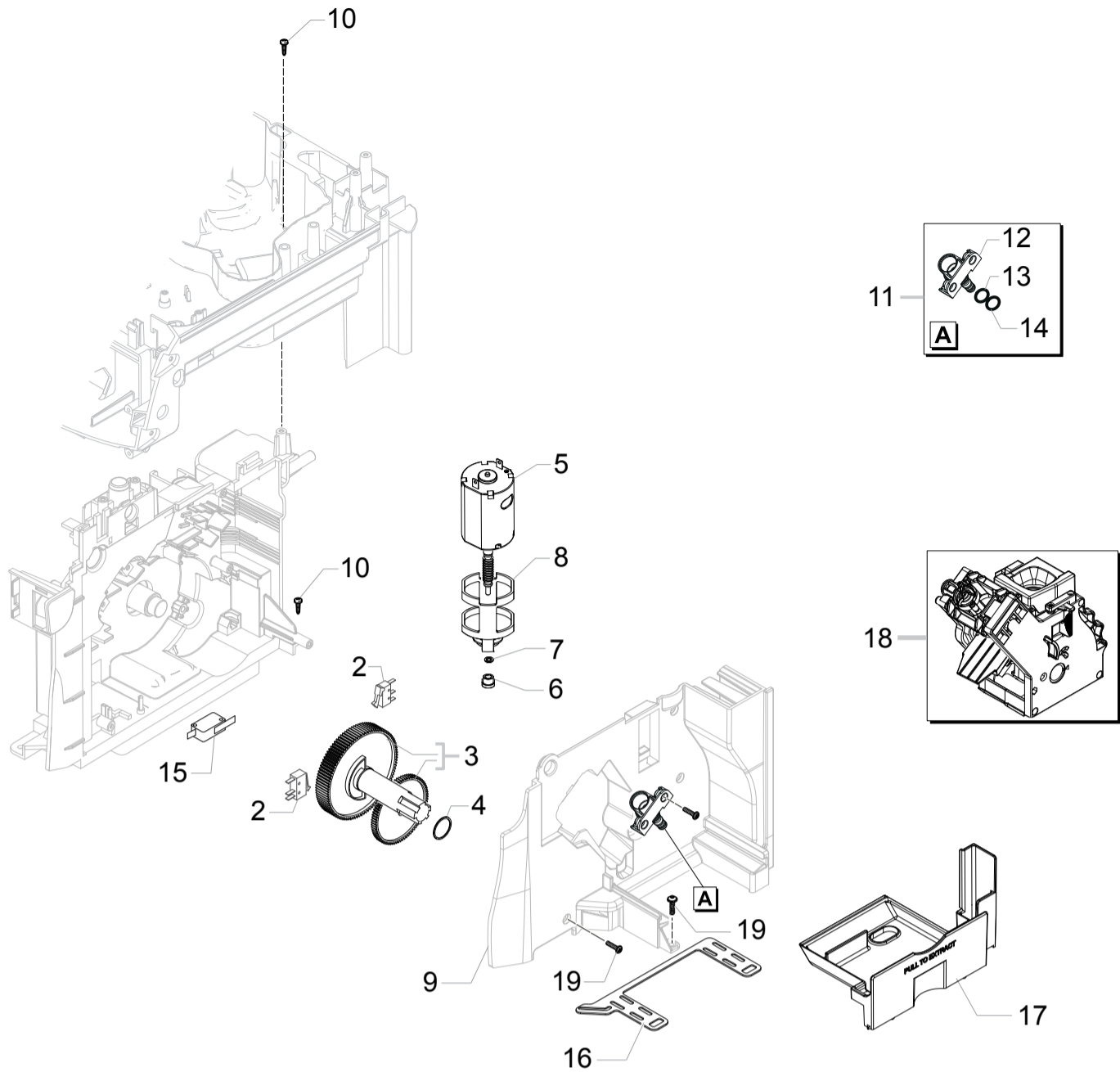
SAE INTELIA CLASS MAT

TABLE 3/6





POS	CODE	12NC	DESCRIPTION	NOTE	POS	CODE	12NC	DESCRIPTION	NOTE
01	11010031	996530005586	TEA/ZAMA INCREASE SCREW GRINDER						
02	129574802	996530012928	SCREW TCB TORX 20 M4X30 ZN-B						
03		421941094152	BLK COF.GRINDER UPPER GRINDER SUPPORT V2						
04	140328960	996530013577	OR ORM 0530-15 NBR FDA						
05	146520100	996530016342	BAKED CLAY GRINDER 48X28						
06	11012466	996530006412	BRASS BUSH BEAN CONT.FINGER PROTEC.P0057						
07	149198350	996530017952	BLK LOWER COFFEEGRINDER GRINDER SUPPORT						
08	123030300	996530011183	AXIAL BEARING EKKO 342.35252						
09	140360500	996530013597	FELT RING 45,4X39,4X4						
10	128310402	996530012341	GALV.WASHER UNI 8842 A4						
11	11026355	996530068049	BLK GROUND COFF.OUTLET CONVEYOR V4 ASSY.						
12		421944060561	GRY GROUND COF.CONT.LOWER SEAL V2 SMART1						
13	226000300	996530029609	GEAR SX Z=38 FOR GRINDER MOTION ASSY.						
14	11000513	996530000317	MOTOR COFFEEGRINDER V3.1 ASSY.	230V					
15	149214800	996530018139	MC V3 MOD=1,25 WORM SCREW CENTRING CAP						
16	129661702	996530012992	SCREW TCB TORX 3,5X30 PLAST.ZN-B						
17	11002873	996530001389	INSULATOR BUSH FOR GRINDER MOTOR P124						
18	11000597	996530000376	COFFEE GRINDER SUPPORT SPRING P124						
19	11014285	996530007058	BLK V2 BEAN CONTAIN.FINGER PROTECT.P0057						
20	128381902	996530012375	STEEL FLAT WASHER DI=4,3 DE=14 SP=1,5						
21	149199050	996530017963	BLK SENSOR SUPPORT FOR COF.GRINDER MOTOR						
22	11000194	996530000115	BLACK COFFEEGRINDER MOTOR SUPPORT P124						
23	181540900	996530022784	ELECTR.BOARD WITH SENSOR HAL506 SF-K						
24	123030200	996530011182	RADIAL BEARING 61900.2RS1						
25	128381800	996530012374	STEEL CRINKLE WASHER 21,8X14X0,25						
26	142905450	996530015258	BLK UPPER BODY WITH COFFEE GROUND OUTLET						
27	17800302	996530068114	3POLES CONNECTOR MC SENSOR NPR UL						
28	11002613	996530001314	LOWER COFFEEGRINDER GEAR SUPPORT P124						
29	11002572	996530001308	COFFEEGRINDER REGULATION SPRING P124						
30	11003784	996530001907	COFFEE GRINDING ADJUSTMENT GEAR P0049						
31	U043.004	996530061808	ZN-B TCB SCREW M4X16						
32	11002508	996530001296	UPPER COFFEEGRINDER GEAR SUPPORT P124						
33	129914002	996530013165	SCREW TCB TORX 10 3,5X16 PLAST.ZN-B						
34	17800301	996530068113	2POLES CONNET.COFFEEGRINDER MOTOR NPR UL						
35	11003446	996530001673	BLACK BEAN COFFEE GRINDER INSERT P0049						
36	17001921	996530072477	BLK WIRING FIX INSERT FOR GRINDER BOARD						
	11026298	996530068697	GEN.MOTOR COFFEE GRINDER NPR ASSY.	230V					



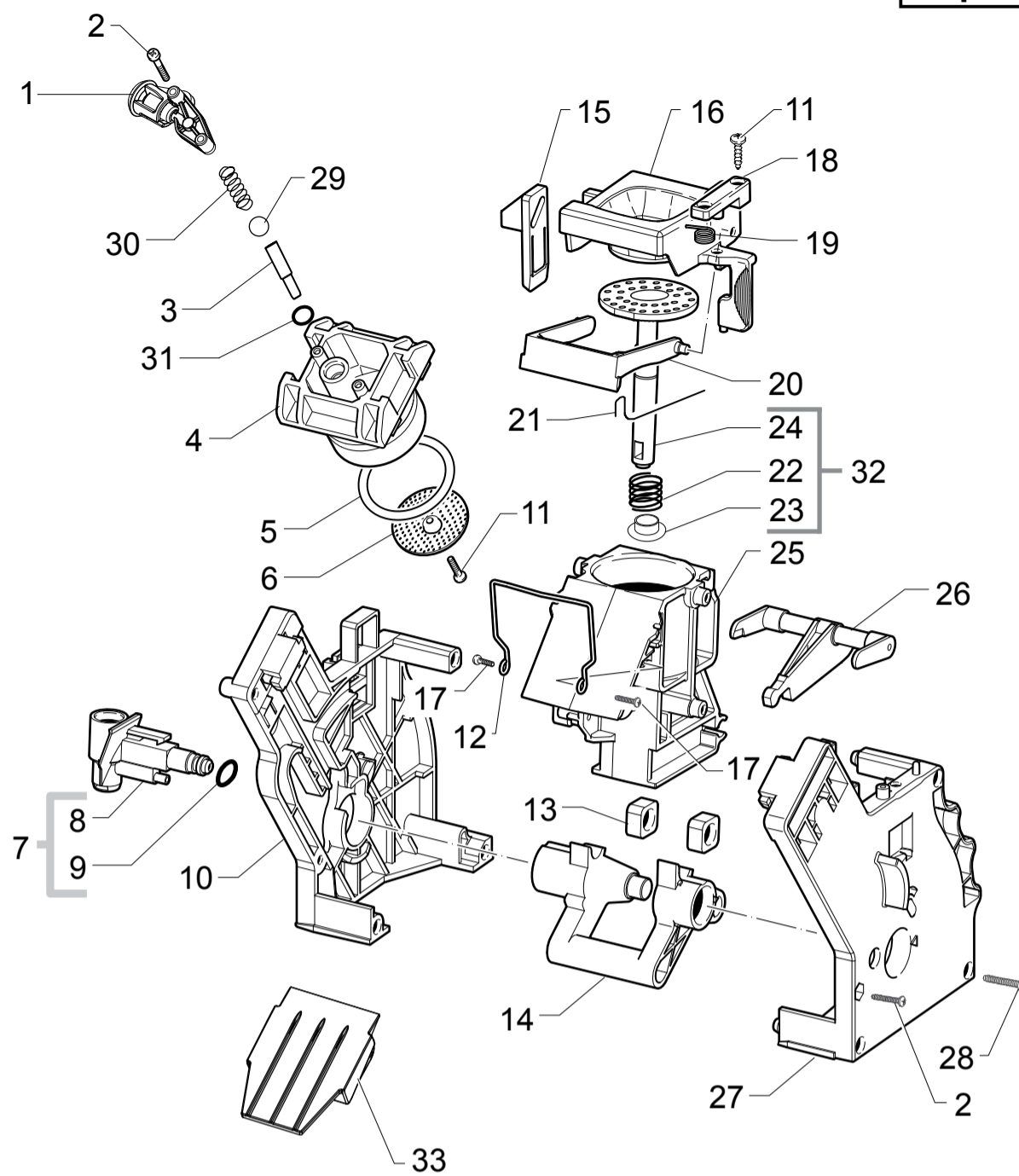
HD8756/01-09



Cod.10004321-31

POS	CODE	12NC	DESCRIPTION	NOTE	POS	CODE	12NC	DESCRIPTION	NOTE
02		421946025541	MICROSWITCH XC/SM1 V2						
03	20000900	996530009913	SPARES KIT GEARS FOR RATIOMOTOR V2						
04	9161.132	996530050569	MYLAR WASHER FOR RATIOMOTOR						
05	11005214	996530002796	MOTOR FOR RATIOMOTOR P124 ASSY.						
06	9121.046	996530049898	BRONZE SINTERED BUSH FOR MOTOR RATIOMOT.						
07	148380200	996530017424	BAKELIZZATE WASHER D=5,5						
08	9121.044	996530049896	ANTIVIBRATION FOR MOTOR						
10	12000450	996530007819	SCREW TCBR TORX 10 3,5X12 PLAST.ZN-N						
11		421944060181	PIN FOR FLOW SEL.FAUCET V2 PPS P0057 AS						
12		421944059371	PIN FOR FLOW SELECT.FAUCET PPS V2 P0057						
13	NM01.035	996530059399	OR ORM 0090-20 SILICONE						
14	NM01.057	996530059419	OR ORM 0050-20 IN SILICONE						
15	12001890	996530073209	MICROSWITCH XG/V3D						
16	17000685	996530072515	BLACK SEAL FOR RATIOMOTOR PLATE NPR						
17	17001336	996530068732	GREY BREW UNIT DRAWER COFFEE NPR						
18		421944053951	BLK/YLW BREW UNIT 8GR.5BAR V4 HGO						
19		421944016761	SCREW TCBR TORX 10 3,5X12 PLAST.ZN-NI						





HD8756/01-09



Cod.10004321-31

POS	CODE	12NC	DESCRIPTION	NOTE	POS	CODE	12NC	DESCRIPTION	NOTE
01		421944065221	BLK BREW UNIT COF.OUTLET SLEEVE SMR ASSY						
02	12000550	996530007838	SCREW TCB TORX 10 3X25 PLAST.SS						
03	11009276	996530005372	BLK COUNTER PISTON TUBE BREW UNIT S0053						
04	11001840	996530001046	BLACK COUNTER PISTON BREW UNIT 8GR.P124						
05	NM01.044	996530059406	OR ORM 0320-40 SILICONE PTFE/FDA						
06	9161.268	996530050709	PERCOLATOR DE=35,8 ELFO						
07	20000440	996530009825	BLACK WATER INLET SLEEVE BREW UNIT ASSY.						
08	9161.064.050	996530050488	BLACK WATER INLET SLEEVE BREW UNIT ROYAL						
09	NM02.007	996530059441	OR 2025 IN TERMOIL						
10	9161.375.050	996530050832	BLACK BREW UNIT REAR PLATE SMART						
11	12000895	996530007951	SCREW TSP TORX 10 3X10 PLAST.SS						
12	11001556	996530000898	SS BREW UNIT SPRING H=49 SMART						
13	9161.094.050	996530050539	BLACK BREW UNIT DRILLED BLOCK						
14		421944051231	YLW BREW UNIT ELBOW SHAFT M5000						
15		421944046931	YLW BREW UNIT COUPLING PLATE V2 SMART						
16	149261350	996530018241	BLACK HOPPER DOSER BREW UNIT SMART1						
17	129912521	996530013148	SCREW TCB TORX 10 3,5X14 PLAST.SS						
18		421944050711	YLW BREWUNIT HOPPER BLOCKING PLATE SMART						
19	9161.378	996530050838	SS HOPPER SPRING FOR BREW UNIT SMART						
20	11004161	996530002096	BLACK SCRAPER FOR BREW UNIT M5000						
21	9161.046	996530050455	SS SCRAPER SPRING FOR BREW UNIT						
22	9161.198	996530050627	SS.8GR.BREW UNIT PISTON SPRING						
23	9161.191	996530050618	WHITE 8GR.-12GR.BREW UNIT PISTON BUSH						
24		421944025621	BLK BREW UNIT INTEGR.PISTON 8GR.V3 ASSY.						
25		421944014611	BLK COF.CONTAIN.BREW UNIT V2 M5000 ASSY.						
26	11003078	996530001452	BLACK CONNECTING ROD BREW UNIT 8GR.						
27	11005920	996530003228	BLACK BREW UNIT FRONT PLATE S/SCR.SMART						
28	12000897	996530007953	SCREW TCB TORX 10 3,5X20 PLAST.SS						
29		421944034451	BOROSILICATE SPHERE D.5 MM						
30	11012095	996530006305	SS COFFEE UNIT CONTERPISTON SPRING S0053						
31	140328761	996530013575	OR ORM 0060-15 TERMOIL						
32		421944029791	BLK BREW UNIT 8GR.INT.PISTON GEN.V3 ASSY						
33	17000663	996530073322	BLK BREW UNIT CONVEYOR SLIDE L=76,8						
		421944053951	BLK/YLW BREW UNIT 8GR.5BAR V4 HGO						

