

HD8750/11-13-18-19  
 HD8750/47-81  
 HD8750/88  
 HD8750/99

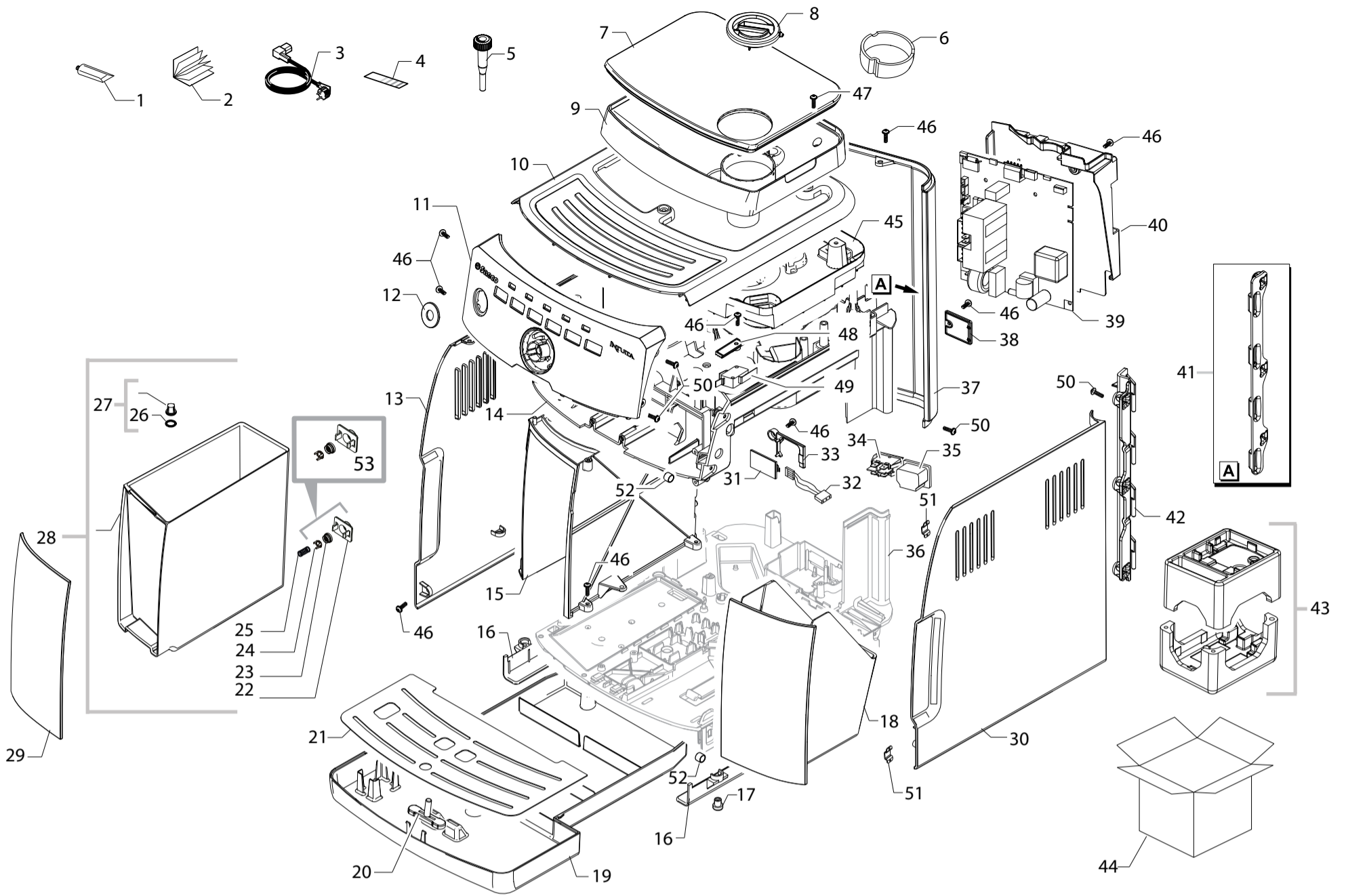


Cod.882875011010-882875013530-882875018150-882875019010  
 Cod.882875047540-882875081010-882875081020  
 Cod.882875088150  
 Cod.882875099010-882875099020

POS	CODE	12NC	DESCRIPTION	NOTE	POS	CODE	12NC	DESCRIPTION	NOTE
01		421946017941	KLUBERLUB NH1 11-222 TUBE 5GR.		23		421944040781	BLK GASKET FOR WATER CONT.VALVE V2 P0049	
02	-	421944021931	MANUAL V2 SAE HD8750 NPR/B GB	FOR USA				<b>FROM S/N. TU901606010610</b>	
	-	421946009251	MANUAL V2 SAE HD8750 NPR/B FR	FOR USA	24		421944040071	BLK WATER CONT.VALVE INSERT V2 P0049	
	-	421946009261	MANUAL V2 SAE HD8750 NPR/B ES	FOR USA				<b>FROM S/N. TU901606010610</b>	
03	-	421946001591	BLK POWER CABLE SCHUKO L=800		25	11003672	996530001831	SS SPRING FOR WATER CONTAIN.VALVE P0049	
	183921950	996530025843	POWER CABLE SJT3 USA BLACK UL L=1200		26	140328461	996530013571	OR ORM 0190-10 EPDM	
	183970350	996530025882	BLK POWER CABLE UK L=1200		27	224640200	996530029115	WHITE WATER CONTAINER EXT.FILTER ASSY.	
	183940650	996530025872	BLACK POWER CABLE AUSTRALIA L=1200		28		421944056301	NAT/GRY WATER CONTAINER V2 NPR ASSY	
04	0301.961	996530039604	STICKER FOR WATER HARDNESS TEST		29	11030535	996530072456	MATT/BLACK WATER TANK FRONT COVER NPR	
05	11003785	996530001908	BLK GRINDER ADJUSTMENT KEY P0049					<b>HD8750/11-13-18-19-47</b>	
06		421941285072	NAT/GREY BEAN COFF.CONT.INSERT V2 NPR/B			11030559	996530072907	SILVER WATER TANK FRONT COVER NPR	
07		421944058821	TR/GRY BEAN C.CONT.LID V2 NP5/P-H-T					<b>HD8750/81-88-99</b>	
08	17001244	996530068685	NAT/GREY GROUND COFFEE HOPPER LID NPR		30		421944040591	M/BLK RIGHT SIDE DOOR V4 NPR	
09	17001234	996530068743	NAT/GREY BEAN COFFEE CONTAINER NPR		31	11003232	996530001522	AS.CPU+SW WATER LEVEL SENSOR V2	
10		421941301461	M/BLK UPPER CASING COVER V2 NPR/B-P					<b>HD8750/11-13-18-19-81-88-99</b>	
11	11029858	996530072493	MATT/BLACK FRONT PANEL V2 S/SCR.NPR/B			11000651	996530000425	WATER LEVEL SENSOR BOARD P124	
			<b>HD8750/11-13-18-19-47</b>					<b>FOR HD8750/47</b>	
	11030645	996530072915	SILVER FRONT PANEL V2 S/SCR.NPR/B		32	-	421946000081	3P.CONN.WATER LEVEL V2 CLP UL ASSY.	
			<b>HD8750/81-88-99</b>		33	17001179	996530068749	BLK CAPACIT.SENSOR LOCKING INSERT NPR	
12	11030647	996530072518	CRC FRONT PANEL CAP NPR/B		34		242212625107	SWI POW 2P 16A 250V FASTON IEC 1552 B	
13	17001299	996530068729	BLACK LEFT SIDE CASING NPR					<b>FROM S/N TW901407110373 DELETED IN</b>	
14	11030130	996530072415	BLK COFFEE GRINDER SUPP.PLATE V2 NPR/H-P					<b>HD8750/11-18-19-47</b>	
15	17001114	996530068752	BLACK CASING BOTTOM INSERT NPR		35	12001883	996530072437	CUP SOCKET V3 EN 60320 C 13	
16	17001110	996530068723	BLACK DRIP TRAY GUIDE NPR		36		NOT AVAILABLE	BLK CASING BOTTOM V3A NPR/T	
17	147622800	996530016875	TRANSPARENT SILICONE FOOT		37	17001240	996530068714	BLACK REAR CASING NPR	
			<b>UP TO S/N. TW901420291211</b>		38	17001484	996530068728	BLACK REAR CASING PROGRAM.INSERT NPR	
		421324705256	FOOT		39	-	421941307242	CPU+SW V5 NPR/B 230V ASSY.	
			<b>FROM S/N. TW901420291212</b>					<b>HD8750/11-18-19-81(020)-88-99(020)</b>	
18	11030534	996530072525	MATT/BLACK DUMP BOX NPR/H-P				421941260023	CPU+SW V3 NPR/B 230V ASSY.	
			<b>HD8750/11-13-18-19-47</b>					<b>HD8750/13-81(010)-99(010)</b>	
	11030555	996530072904	SILVER DUMP BOX NPR/H-P			11031452	996530073399	CPU+SW NPR/B 120V ASSY.	
			<b>HD8750/81-88-99</b>					<b>HD8750/47</b>	
19	11030489	996530072526	MATT/BLACK DRIP TRAY NPR/H-P		40	-	421944017971	BLK PWR/CPU BOARD PROTECTION V2 P0057	
20	11013184	996530006683	RED FLOAT FOR DRIP TRAY XSM		41		421944022751	BLK HINGE FOR REAR CASING XSM	
21	11029600	996530070357	SB/SS GRATE FOR DRIP TRAY NPR/H		42		421944022731	BLK HINGE FOR DOOR RIGHT SIDE XSM	
22		421944040061	BLK LID FOR WATER CONT.VALVE V2 P0049		43	20007110	996530072468	KIT PS-E INSERT FOR BOX NPR/B	
			<b>FROM S/N. TU901606010610</b>		44	-	421946005171	FLEXO.BOX DFX NPR/B SAE INTUITA	



INTUITA



HD8750/11-13-18-19  
 HD8750/47-81  
 HD8750/88  
 HD8750/99

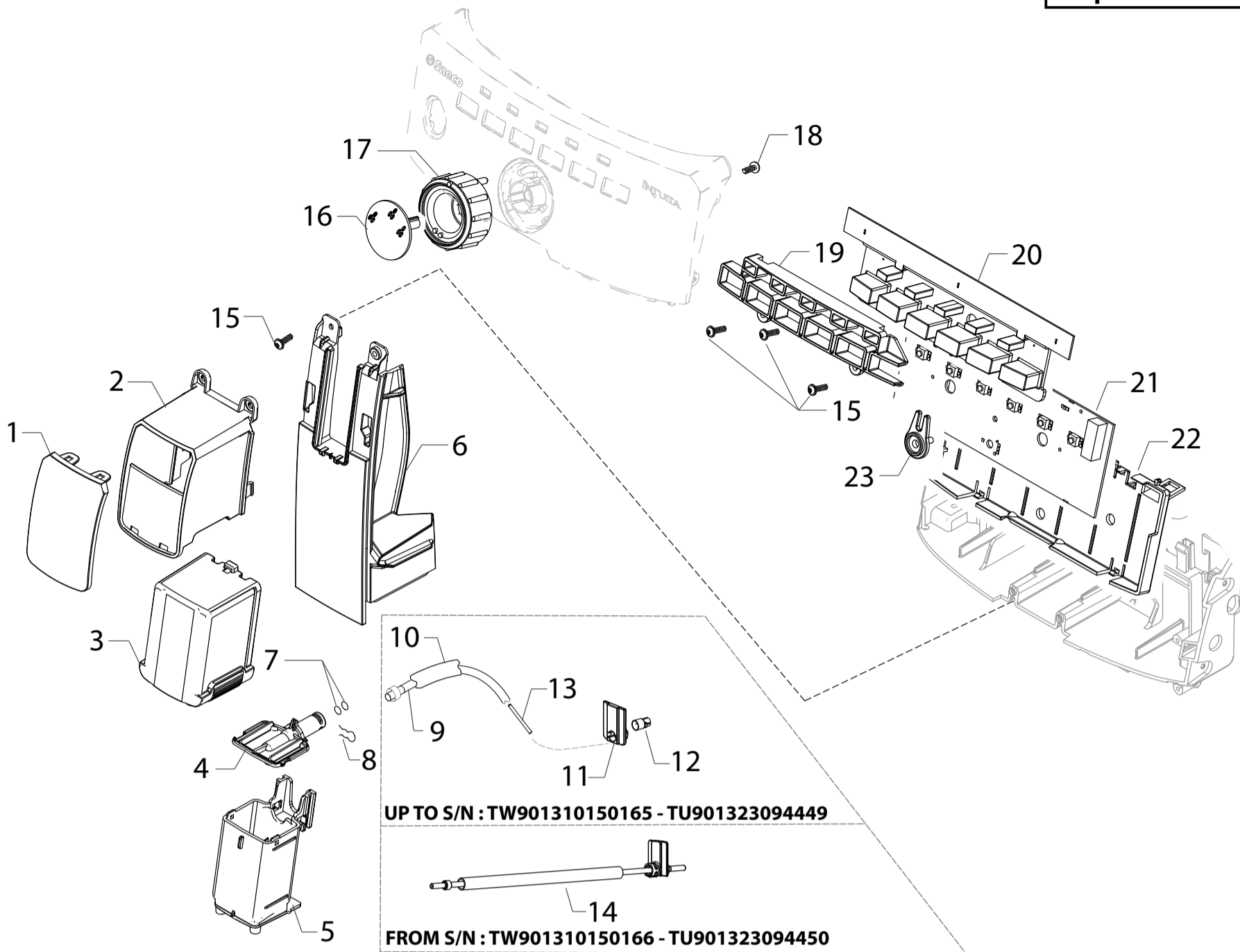


Cod.882875011010-882875013530-882875018150-882875019010  
 Cod.882875047540-882875081010-882875081020  
 Cod.882875088150  
 Cod.882875099010-882875099020

POS	CODE	12NC	DESCRIPTION	NOTE	POS	CODE	12NC	DESCRIPTION	NOTE
			<b>HD8750/11-13-18-19-81-88-99</b>						
	13001695	996530073401	FLEXGR.BOX NPR/B SAE INTUITA USA						
			<b>HD8750/47</b>						
45	-	421944058831	BLK COF.GRINDER SOUNDPROOFING COV.V3 NPR						
46	12000450	996530007819	SCREW TCBR TORX 10 3,5X12 PLAST.ZN-N						
47	129914002	996530013165	SCREW TCB TORX 10 3,5X16 PLAST.ZN-B						
48	17000064	996530067437	BLK CAPACIT.SENSOR DEADLOCK INSERT XSM						
49	12001890	996530073209	MICROSWITCH XG/V3D						
50		421944016761	SCREW TCBR TORX 10 3,5X12 PLAST.ZN-NI						
51	11013220	996530069857	STEEL PLATE FOR DOOR MAGNET XSM						
52	9161.111	996530050555	MAGNET FOR FLOAT SUPERAUT.						
53		421941308821	KIT SP.COMPONENTS WATER CONTAINERS ASSY						
			<b>UP TO S/N. TU901606010609</b>						



INTUITA



HD8750/11-13-18-19  
 HD8750/47-81  
 HD8750/88  
 HD8750/99

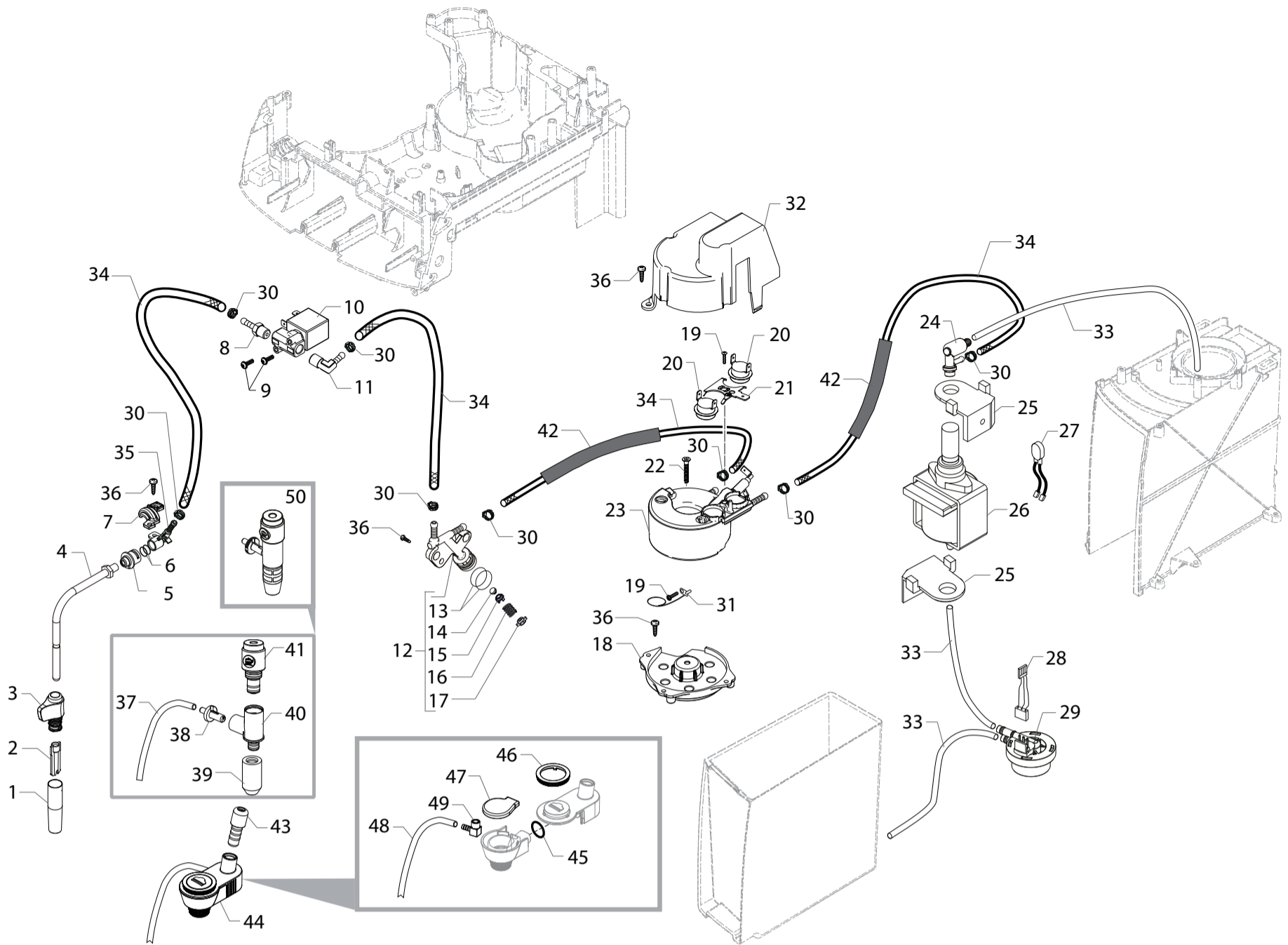


Cod.882875011010-882875013530-882875018150-882875019010  
 Cod.882875047540-882875081010-882875081020  
 Cod.882875088150  
 Cod.882875099010-882875099020

POS	CODE	12NC	DESCRIPTION	NOTE	POS	CODE	12NC	DESCRIPTION	NOTE
01	11030532	996530072509	MATT/BLK COF.DISPENS.FRONT PLATE NPR/H-P <b>HD8750/11-13-18-19-47</b>						
	11030553	996530072911	SILVER COF.DISPENSER FRONT PLATE NPR/H-P <b>HD8750/81-88-99</b>						
02	11030531	996530072512	MATT/BLACK COFFEE DISPENSER LID NPR						
03	17001242	996530068698	BLACK COFFEE DISPENSER MOBILE PART NPR						
04	17001246	996530068742	BLACK COFFEE DISPENSER BODY LID NPR						
05	17001894	996530071881	BLK COFFEE DISPENSER BODY V2 NPR						
06	11030536	996530072527	MATT/BLACK FRONT CASING COVER V2 NPR <b>HD8750/11-13-18-19-47</b>						
	11030562	996530072909	SILVER FRONT CASING COVER V2 NPR <b>HD8750/81-88-99</b>						
07	140328059	996530013564	OR 2015 SILICONE PTFE/FDA						
08	9011.144	996530048885	SS FORK FOR TUBE D=4						
09	11004132	996530002073	TEFLON TUBE 2X4 L=250 MM ASSY.						
10	149361200	996530018278	BLACK SILICONE TUBE 7,5X9,3	IN ROLL					
11	11005100	996530002748	PLATE FOR BUSH TEFLON TUBE 2X4 P124						
12	11005101	996530002749	BLACK BUSH FOR TEFLON TUBE 2X4 P124						
13	17000266	996530071774	SS.L=22,6MM INT.BUSH FOR TEFLON TUBE D4						
14	11031203	996530073357	TEFL.TUBE 2X4 L=235+PLATE+2BUSH NPR ASSY <b>FROM S/N TW901310150166</b> <b>AND FROM S/N TU901323094450</b>						
15	12000450	996530007819	SCREW TCB TORX 10 3,5X12 PLAST.ZN-N						
16	11029840	996530072535	TRANS.CONTR.KNOB OUTER COVER S/SCR.NPR/B						
17	11029469	996530072517	CRC CONTROL KNOB V2 NPR/B						
18	129913202	996530013156	SCREW TCB TORX 10 3X8 PLAST.ZN-B						
19	17001370	996530072494	NEUTR.6BUTTONS TOUCH PANEL INSERT NPR/B						
20	11029185	996530072474	BLK 6BUTTONS TOUCH PANEL S/S.STEAM NPR/B <b>HD8750/11-13-18-19-47</b>						
	11030731	996530072932	LK 6BUTTONS TOUCH PANEL S/SC.CAPP.NPR/B <b>HD8750/81-88-99</b>						
21	11028512	996530072455	KYB - INTERFACE NPR/B						
22	17001319	996530072528	BLACK LED KEYBOARD SUPPORT NPR						
23	17001639	996530072487	CONTROL KNOB V2 POTENTIOM.INS.NPR/B						



INTUITA



HD8750/11-13-18-19  
 HD8750/47-81  
 HD8750/88  
 HD8750/99



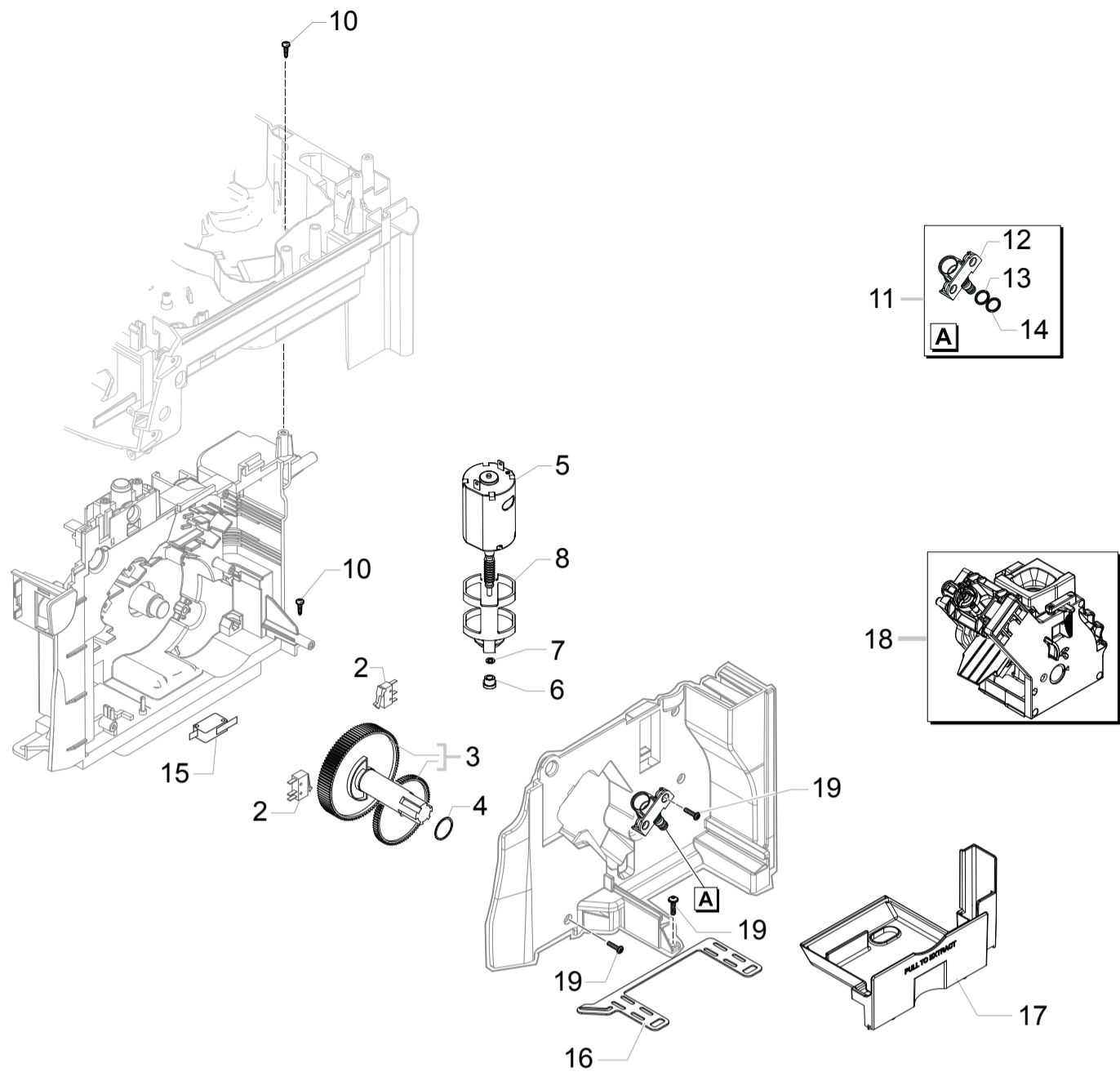
Cod.882875011010-882875013530-882875018150-882875019010  
 Cod.882875047540-882875081010-882875081020  
 Cod.882875088150  
 Cod.882875099010-882875099020

POS	CODE	12NC	DESCRIPTION	NOTE	POS	CODE	12NC	DESCRIPTION	NOTE
01	11001769	996530001012	BLACK PANNARELLO COVER P0049 <b>HD8750/11-13-18-19-47</b>		29	NV99.099	996530059843	TURBINE D=1,2 932-8521/00 ASSY.	
02	11001620	996530000925	BLACK PANNARELLO INNER TUBE P0049 <b>HD8750/11-13-18-19-47</b>		30	12000892	996530007947	OETIKER CLAMP D=9,5 16700004	
03	-	421941300671	BLACK/SIL.STEAM TUBE HANDGRIP G0053 <b>HD8750/11-13-18-19-47-</b>		31	190800100	996530026997	TEMPERATURE SENSOR NTC UL L=280MM	
04	11027861	996530068662	TF/CHROM.STEAM TUBE D=5,4 NPR ASSY.		32	-	421941284802	GRY BOILER INSULATING COVER NPR	
05	11011127	996530005979	BLACK PA6 BUSH FOR STEAM TUBE P0057		33	JS01.022	996530057357	SILICONE TUBE 5X10 60SH	IN ROLL
06	140324461	996530013509	OR ORM 0060-20 TERMOIL		34	16000380	996530009505	5X8,9 SILICONE TUBE	IN ROLL
07	11013894	996530006914	BLACK FORK FOR STEAM TUBE GXSM		35	-	421944028161	STEAM TUBE SUPPORT PPS P0057	
08	11024868	996530070371	L-F/BRASS CONNECT.FOR ALUM.BOILER		36	12000450	996530007819	SCREW TCBR TORX 10 3,5X12 PLAST.ZN-N	
09	129823802	996530013077	TCB SCREW M4X8 UNI 7687 ZNP		37	229363500	996530031599	SILICONE TUBE 3,5X6 L=400 MM <b>HD8750/81-99 UP TO S/N TW901337465523</b>	
10	-	421944008781	2WAY EV OT57 G1/8 F.X PG D5,9 24V DC 10W.		38	17001459	996530068727	BLK CAP.MILK TUBE CONNECT.D=1,05 NPR/H <b>UP TO S/N TW901337465523 HD8750/81-99</b>	
11	11024469	996530067632	L-F/BRASS CONNECTOR FOR BOILER AURA		39	20007021	996530068684	SPARES KIT SS/BLK CAPP.LOWER PART NPR/H <b>UP TO S/N TW901337465523 HD8750/81-99</b>	
12	17000114	996530068077	FLOW SELECTOR FAUCET NPR		40	20007022	996530068692	SPARES KIT SS/BLK CAPP.UPPER PART NPR/H <b>UP TO S/N TW901337465523 HD8750/81-99</b>	
13	12000893	996530007948	OR ORM 0120-20 BLACK EPDM		41	11026707	996530068055	BLACK STEAM TUBE HANDGRIP S/SCR.NPR/H <b>UP TO S/N TW901337465523 HD8750/81-99</b>	
14	11008104	996530004722	MUSHROOM VALVE FOR FLOW SELECTOR P0057		42	16000540	996530009523	TRANSPAR.10,5X12,3 SILICONE TUBE	IN ROLL
15	11008105	996530004723	FLOW SELECTOR VALVE SUPPORT P0057		43	-	421941301142	BLK STEAM TUBE INSERT V2 SMR/H <b>FROM S/N TW901337465524 HD8750/81-88-99</b>	
16	11008077	996530004709	STEEL FLOW SELECTOR VALVE SPRING P0057		44	-	421944023801	BLK CAPPUC.V3 SMR/H ASSY. <b>FROM S/N TW901337465524 HD8750/81-88-99</b>	
17	11008106	996530004724	FLOW SELECTOR VALVE CAP P0057		45	NM01.028	996530059392	O-RING 106 SILICONE	
18	-	421941215942	BLK SLIM/EXSL TUB.BOILER SUPPORT V2		46	-	421941301121	BLK CAPPUC.CASING COVER RING SMR/H	
19	12001715	996530069758	SCREW TCB TORX 20 M4X8 AUTOFORMING ZN-B		47	-	421941301131	BLK CAPPUC.CASING SEAL SMR/H	
20	12001033	996530007973	THERMOSTAT ONE SHOT 190°		48	9972.045	996530051237	SILICONE TUBE 3,5X6 L=350 MM DS	
21	11001751	996530000997	TUB.BOILER V3 UPPER THERM.FIXING SPRING		49	147922350	996530017377	BLK CONNECTOR 90° FOR SPHERIC.CAPPUC.	
22	12001280	996530008024	SCREW TSP TORX 10 5X20 PLAST.ZN-B <b>HD8750/11-13-18-19-81-88-99</b>		50	20007321	996530073663	KIT 2 CAPPUC.NPR/H BLK/INOX <b>UP TO S/N TW901337465523 HD8750/81-99</b>	
		12001369	SCREW TSP TORX 10 5X35 PLAST.SS <b>HD8750/47</b>						
23	17000346	996530068751	HP/SLIM TUB.BOILER 1900W 230V ASSY. <b>HD8750/11-13-18-19-81-88-99</b>						
		11023153	SLIM TUB.BOILER 1300W 120V ASSY. <b>HD8750/47</b>						
24	11004689	996530002484	TEA/BRASS SAFETY VALVE 16-18 BAR ASSY.			11026286	996530068717	HP/SLIM TUB.BOILER STD 1900W 230V ASSY. WITH PART.N°19-20-21-23-31 COMPLETE	
25	149205850	996530018056	BLACK TYPE ULKA PUMP W/BEVEL SUPPORT			11026684	996530069761	SLIM TUB.BOIL.STD C1 T190° 1300W 120V AS WITH PART.N°19-20-21-23-31 COMPLETE	
26	12000140	421941305991	ULKA PUMP EP5FMGW 230V-50HZ <b>HD8750/11-13-18-19-81-88-99</b>						
		12000142	ULKA PUMP EAP5/S 120V-60HZ <b>HD8750/47</b>						
27	-	421946000131	2POLES CONNECTOR PUMP V2 CLP UL						
28	-	421946000141	3P.CONN.FLOWMETER V2 CLP UL ASSY.						



INTUITA



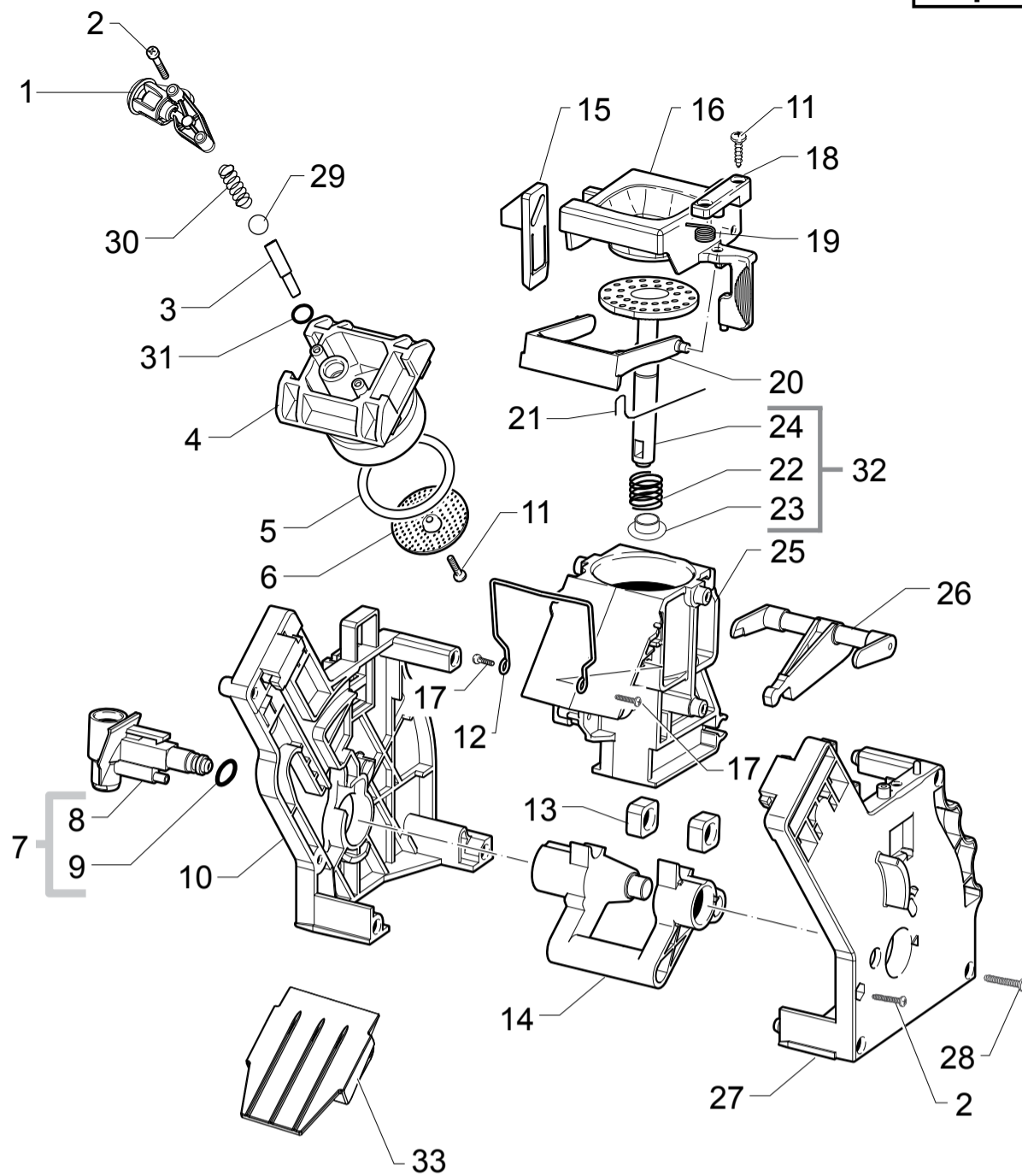


HD8750/11-13-18-19  
 HD8750/47-81  
 HD8750/88  
 HD8750/99



Cod.882875011010-882875013530-882875018150-882875019010  
 Cod.882875047540-882875081010-882875081020  
 Cod.882875088150  
 Cod.882875099010-882875099020

POS	CODE	12NC	DESCRIPTION	NOTE	POS	CODE	12NC	DESCRIPTION	NOTE
02	NE05.038	996530058869	MICROSWITCH SAIA XCG5-81-P5						
03	20000900	996530009913	SPARES KIT GEARS FOR RATIOMOTOR V2						
04	9161.132	996530050569	MYLAR WASHER FOR RATIOMOTOR						
05	11005214	996530002796	MOTOR FOR RATIOMOTOR P124 ASSY.						
06	9121.046	996530049898	BRONZE SINTERED BUSH FOR MOTOR RATIOMOT.						
07	148380200	996530017424	BAKELIZZATE WASHER D=5,5						
08	9121.044	996530049896	ANTIVIBRATION FOR MOTOR						
10	12000450	996530007819	SCREW TCBR TORX 10 3,5X12 PLAST.ZN-N						
11		421944060181	PIN FOR FLOW SEL.FAUCET V2 PPS P0057 AS						
12		421944059371	PIN FOR FLOW SELECT.FAUCET PPS V2 P0057						
13	NM01.035	996530059399	OR ORM 0090-20 SILICONE						
14	NM01.057	996530059419	OR ORM 0050-20 IN SILICONE						
15	12001890	996530073209	MICROSWITCH XG/V3D						
16	17000685	996530072515	BLACK SEAL FOR RATIOMOTOR PLATE NPR						
17	17001336	996530068732	GREY BREW UNIT DRAWER COFFEE NPR						
18		421944053951	BLK/YLW BREW UNIT 8GR.5BAR V4 HGO						
19	12001728	996530070321	SCREW TCBR TORX 10 3,5X12 PLAST.SS						



HD8750/11-13-18-19  
 HD8750/47-81  
 HD8750/88  
 HD8750/99



Cod.882875011010-882875013530-882875018150-882875019010  
 Cod.882875047540-882875081010-882875081020  
 Cod.882875088150  
 Cod.882875099010-882875099020

POS	CODE	12NC	DESCRIPTION	NOTE	POS	CODE	12NC	DESCRIPTION	NOTE
01	11009362	996530005415	BLK COF.OUTLET SLEEVE BREW UNIT S0053 AS						
02	12000550	996530007838	SCREW TCB TORX 10 3X25 PLAST.SS						
03	11009276	996530005372	BLK COUNTER PISTON TUBE BREW UNIT S0053						
04	11001840	996530001046	BLACK COUNTER PISTON BREW UNIT 8GR.P124						
05	NM01.044	996530059406	OR ORM 0320-40 SILICONE PTFE/FDA						
06	9161.268	996530050709	PERCOLATOR DE=35,8 ELFO						
07	20000440	996530009825	BLACK WATER INLET SLEEVE BREW UNIT ASSY.						
08	9161.064.050	996530050488	BLACK WATER INLET SLEEVE BREW UNIT ROYAL						
09	NM02.007	996530059441	OR 2025 IN TERMOIL						
10	9161.375.050	996530050832	BLACK BREW UNIT REAR PLATE SMART						
11	12000895	996530007951	SCREW TSP TORX 10 3X10 PLAST.SS						
12	11001556	996530000898	SS BREW UNIT SPRING H=49 SMART						
13	9161.094.050	996530050539	BLACK BREW UNIT DRILLED BLOCK						
14		421944051231	YLW BREW UNIT ELBOW SHAFT M5000						
15		421944046931	YLW BREW UNIT COUPLING PLATE V2 SMART						
16	149261350	996530018241	BLACK HOPPER DOSER BREW UNIT SMART1						
17	129912521	996530013148	SCREW TCB TORX 10 3,5X14 PLAST.SS						
18		421944050711	YLW BREWUNIT HOPPER BLOCKING PLATE SMART						
19	9161.378	996530050838	SS HOPPER SPRING FOR BREW UNIT SMART						
20	11004161	996530002096	BLACK SCRAPER FOR BREW UNIT M5000						
21	9161.046	996530050455	SS SCRAPER SPRING FOR BREW UNIT						
22	9161.198	996530050627	SS.8GR.BREW UNIT PISTON SPRING						
23	9161.191	996530050618	WHITE 8GR.-12GR.BREW UNIT PISTON BUSH						
24		421944025621	BLK BREW UNIT INTEGR.PISTON 8GR.V3 ASSY.						
25		421944014611	BLK COF.CONTAIN.BREW UNIT V2 M5000 ASSY.						
26	11003078	996530001452	BLACK CONNECTING ROD BREW UNIT 8GR.						
27	11005920	996530003228	BLACK BREW UNIT FRONT PLATE S/SCR.SMART						
28	12000897	996530007953	SCREW TCB TORX 10 3,5X20 PLAST.SS						
29		421944034451	BOROSILICATE SPHERE D.5 MM						
30	11012095	996530006305	SS COFFEE UNIT CONTERPISTON SPRING S0053						
31	140328761	996530013575	OR ORM 0060-15 TERMOIL						
32		421944029791	BLK BREW UNIT 8GR.INT.PISTON GEN.V3 ASSY						
33	17000663	996530073322	BLK BREW UNIT CONVEYOR SLIDE L=76,8						
		421944053951	BLK/YLW BREW UNIT 8GR.5BAR V4 HGO						



INTUITA