

HD8771/93
HD8889/19
HD8906/01-06

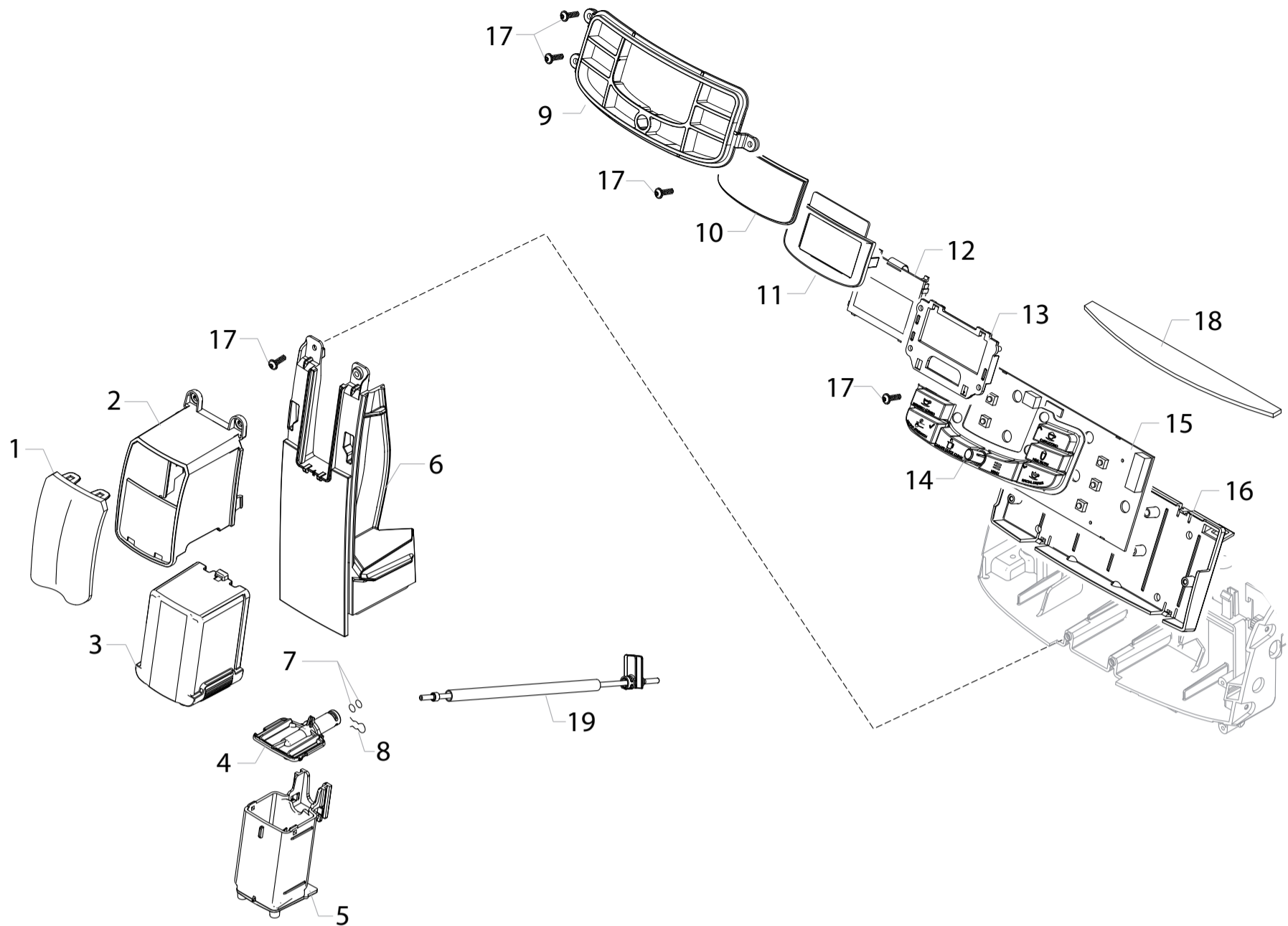


Cod.882877193540
Cod.882888919870
Cod.882890601010-882890606470

POS	CODE	12NC	DESCRIPTION	NOTE	POS	CODE	12NC	DESCRIPTION	NOTE
01		421946017941	KLUBERLUB NH1 11-222 TUBE 5GR.		33	17001179	996530068749	BLK CAPACIT.SENSOR LOCKING INSERT NPR	
02	127390100	996530011867	BRUSH FOR CLEANING		34	12001883	996530072437	CUP SOCKET V3 EN 60320 C 13	
03	183911050	996530025808	BLK POWER CABLE SCHUKO L=1200		35	17001240	996530068714	BLACK REAR CASING NPR	
	183921950	996530025843	BLK POWER CABLE SJT3 USA UL L=1200	HD8771/93	36	17001484	996530068728	BLACK REAR CASING PROGRAM.INSERT NPR	
	11001985	996530001089	BLK POWER CABLE KOREA L=1200	HD8906/06	37		421941308171	CPR+SW NPR V2/T ASSY.	230V
04		421944033301	BLK ABS COFFEE MEASURE SMART				421941308481	CPU+SW NPR/T V2 USA ASSY.	120V
05		421944053591	BA/SS UPPER CASING COVER INS.V2 NPR/H-T		38		421944063711	BLK PWR/CPU BOARD PROTECTION NP5	
06	0301.961	996530039604	STICKER FOR WATER HARDNESS TEST				421944050551	GRY PWR/CPU BOARD PROTECTION V2 P0057/UL	HD8771/93
07		421944057611	T/GRY BEAN C.CON.LID W/SEAL S/SC.NP5/H-T		39		421944022751	BLK HINGE FOR REAR CASING XSM.	
		421944063391	NAT/GR BEAN COFF.CONT.LID W/S V2 NPR/H-T	HD8771/93	40		421944022731	BLK HINGE FOR DOOR RIGHT SIDE XSM	
08	11031477	996530073487	TRANSP/GREY GROUND COFFEE HOPPER LID NPR		41		421946027831	DISPL.BOX NP5/T SAE INTEL.EVO2	
09		421944053291	TRANSP/GRY BEAN COFFEE CONTAINER NPR				421946031251	DISPL.BOX NP5/T SAE INTELIA EVO2 USA	HD8771/93
		421944058811	TRANSP/GRY BEAN COFFEE CONTAINER V2 NPR	HD8771/93	42		421944058831	BLK COF.GRINDER SOUNDPROOFING COV.V3 NPR	
10		421944054461	BA/SS-BLK UPPER CASING COVER NP5/H ASSY		43	12000450	996530007819	SCREW TCBR TORX 10 3,5X12 PLAST.ZN-N	
11		421944054561	SS FRONT PANEL S/SCR.NP5/TM ASSY		44		421944016761	SCREW TCBR TORX 10 3,5X12 PLAST.ZN-NI	
12	17001380	996530069844	TRANSP.COVER INFRAREDS ACCESS NPR/T		45	17000064	996530067437	BLK CAPACIT.SENSOR DEADLOCK INSERT XSM	
13	17001299	996530068729	BLACK LEFT SIDE CASING NPR		46	11013220	996530069857	STEEL PLATE FOR DOOR MAGNET XSM	
14	17000822	996530069837	BLK CARAFE CAPPUC.MILK OUTPUT CONN.NPR/T		47	9161.111	996530050555	MAGNET FOR FLOAT SUPERAUT.	
15		421941282512	BLK CASING BOTTOM INSERT V2 NPR		48	129913202	996530013156	SCREW TCB TORX 10 3X8 PLAST.ZN-B	
16	17001110	996530068723	BLACK DRIP TRAY GUIDE NPR		49	12001890	996530073209	MICROSWITCH XG/V3D	
17		421324705256	TRANSPARENT SILICONE FOOT		50	20007020	996530068711	KIT PS-E INSERT FOR BOX NPR/H-P	
18	11028590	996530070394	SS DUMP BOX NPR/TM ASSY.		51	17001731	996530072693	BLACK DRIP TRAY LOCKING INSERT V2 NPR/T	
19		421944013031	BLK DRIP TRAY V3 NPR/T ASSY.		52	U207.004	996530062034	PLAIN WASHER 4,3X16 UNI 6592 GAL	
20		421941304791	RED/3003 FLOAT FOR DRIP TRAY XSM		53	11000759	996530000487	HOT WATER TUBE SPRING P124	
21		421944054531	SA/SS GRATE FOR DRIP TRAY NP5/T		54		421941308921	KIT SPARES BLK DRIP TRAY V3 NPR/T	
22		421944040061	BLK LID FOR WATER CONT.VALVE V2 P0049		55	17800662	996530073867	2P.CONN.SENSOR REED DOOR V2 MYB9 ULASSY	HD8771/93
			FROM S/N. TU901606010610		56		421941310031	KIT SP.WATER GEN.CONT.NAT/GRY NPR	
23		421944040781	BLK GASKET FOR WATER CONT.VALVE V2 P0049				421941310041	KIT SP.WATER GEN.CON.NAT/GRY NPR 120V	HD8771/93
			FROM S/N. TU901606010610		57		421941308821	KIT SP.COMPONENTS WATER CONTAINERS ASSY	
24		421944040071	BLK WATER CONT.VALVE INSERT V2 P0049					UP TO S/N. TU901606010609	
			FROM S/N. TU901606010610						
25	11003672	996530001831	SS SPRING FOR WATER CONTAIN.VALVE P0049						
26	140328461	996530013571	OR ORM 0190-10 EPDM						
27	224640200	996530029115	WHITE WATER CONTAINER EXT.FILTER ASSY.						
28		421944053072	NAT/GRY WATER CONT.LONGFILT V2 NPR ASSY						
		421944056301	NAT/GRY WATER CONTAINER V2 NPR ASSY	HD8771/93					
29	11028561	996530070361	SS WATER TANK FRONT COVER NPR/HM ASSY.						
30		421944040591	M/BLK RIGHT SIDE DOOR V4 NPR						
31		421941306721	CPU+SW WATER LEVEL SENSOR V3 ASSY.						
32		421946000081	3P.CONN.WATER LEVEL V2 CLP UL ASSY.						



INTELIA EVO2 OTC
INTELIA CAPP.EVO2



Saeco
INTERNATIONAL GROUP

HD8771/93
HD8889/19
HD8906/01-06

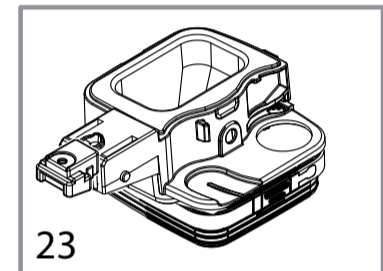
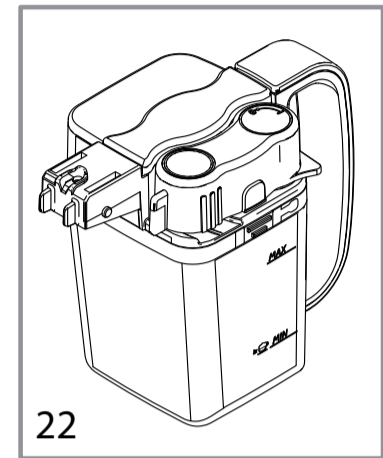
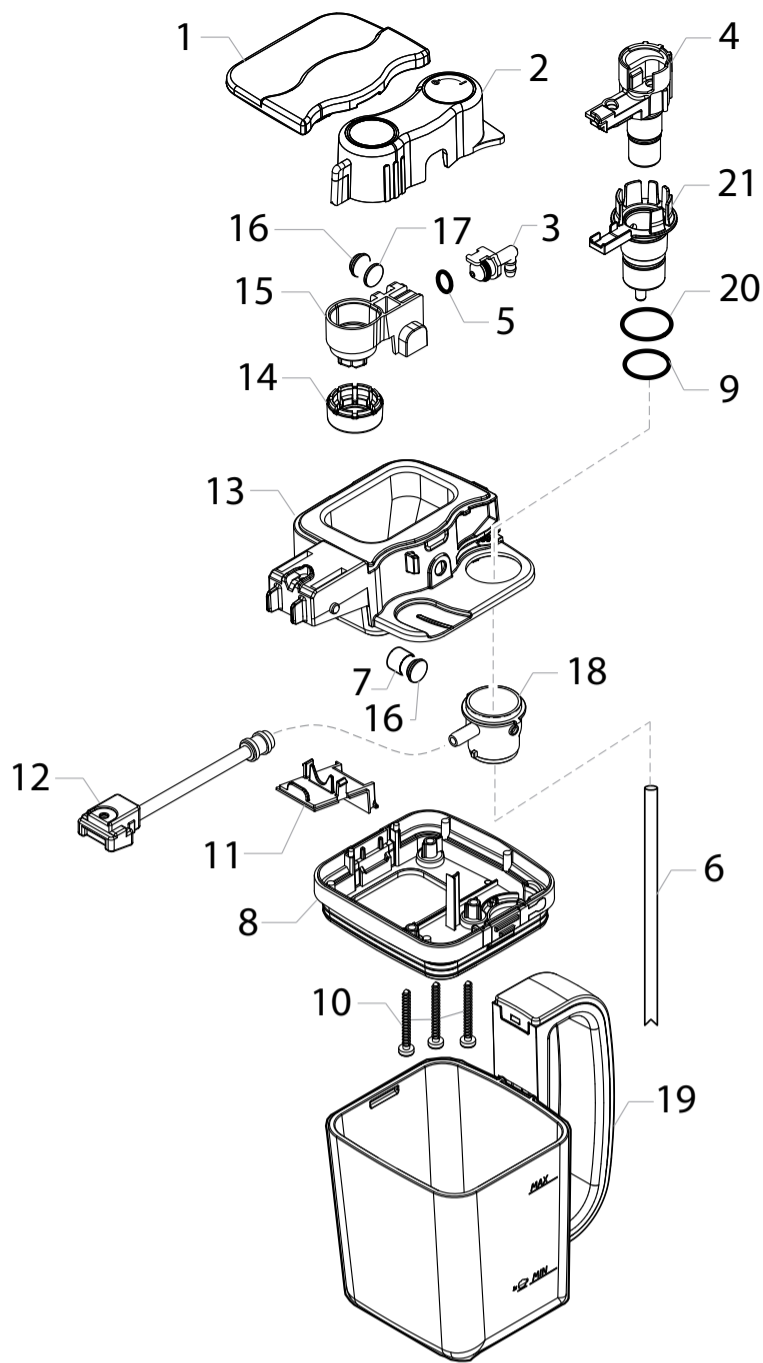


Cod.882877193540
Cod.882888919870
Cod.882890601010-882890606470

POS	CODE	12NC	DESCRIPTION	NOTE	POS	CODE	12NC	DESCRIPTION	NOTE
01	11028589	996530070369	SS COF.DISPENS.FRONT PLATE NPR/HT-TMASS						
02		421944049371	G/ANM COFFEE DISPENSER LID NPR						
03	17001242	996530068698	BLACK COFFEE DISPENSER MOBILE PART NPR						
04	17001246	996530068742	BLACK COFFEE DISPENSER BODY LID NPR						
05	17001894	996530071881	BLACK COFFEE DISPENSER BODY V2 NPR						
06	11028558	996530070368	SS FRONT CASING COVER NPR/HM ASSY.						
07	140328059	996530013564	OR 2015 SILICONE PTFE/FDA						
08	9011.144	996530048885	SS FORK FOR TUBE D=4						
09	11029162	996530072811	CHROM.TOUCH PANEL FRAME NPR/E						
10	17001112	996530068675	TRANSP.GLASS FOR DISPLAY NPR						
11	17001111	996530068673	BLACK DISPLAY FRAME NPR						
12		421941307861	DISPLAY HIGO FL						
13	17001100	996530068682	BLACK DISPLAY SUPPORT NPR						
14		421944053941	SIL 9BUTTONS TOUCH PANEL S/SCR.NPR/T						
15		421941308161	KEYBOARD NPR V2/T						
		421941308201	KEYB NPR/H 120V USA	HD8771/93					
16	11030078	996530071879	BLACK DISPLAY KEYBOARD SUPPORT V2 NPR						
17	12000450	996530007819	SCREW TCBR TORX 10 3,5X12 PLAST.ZN-N						
18	17001379	996530069814	BLACK ADHESIVE AERSTOP NPR						
19	11031203	996530073357	TEFL.TUBE 2X4 L=235+PLATE+2BUSH NPR ASSY						

Saeco
INTERNATIONAL GROUP

INTELIA EVO2 OTC
INTELIA CAPP.EVO2



HD8771/93
HD8889/19
HD8906/01-06

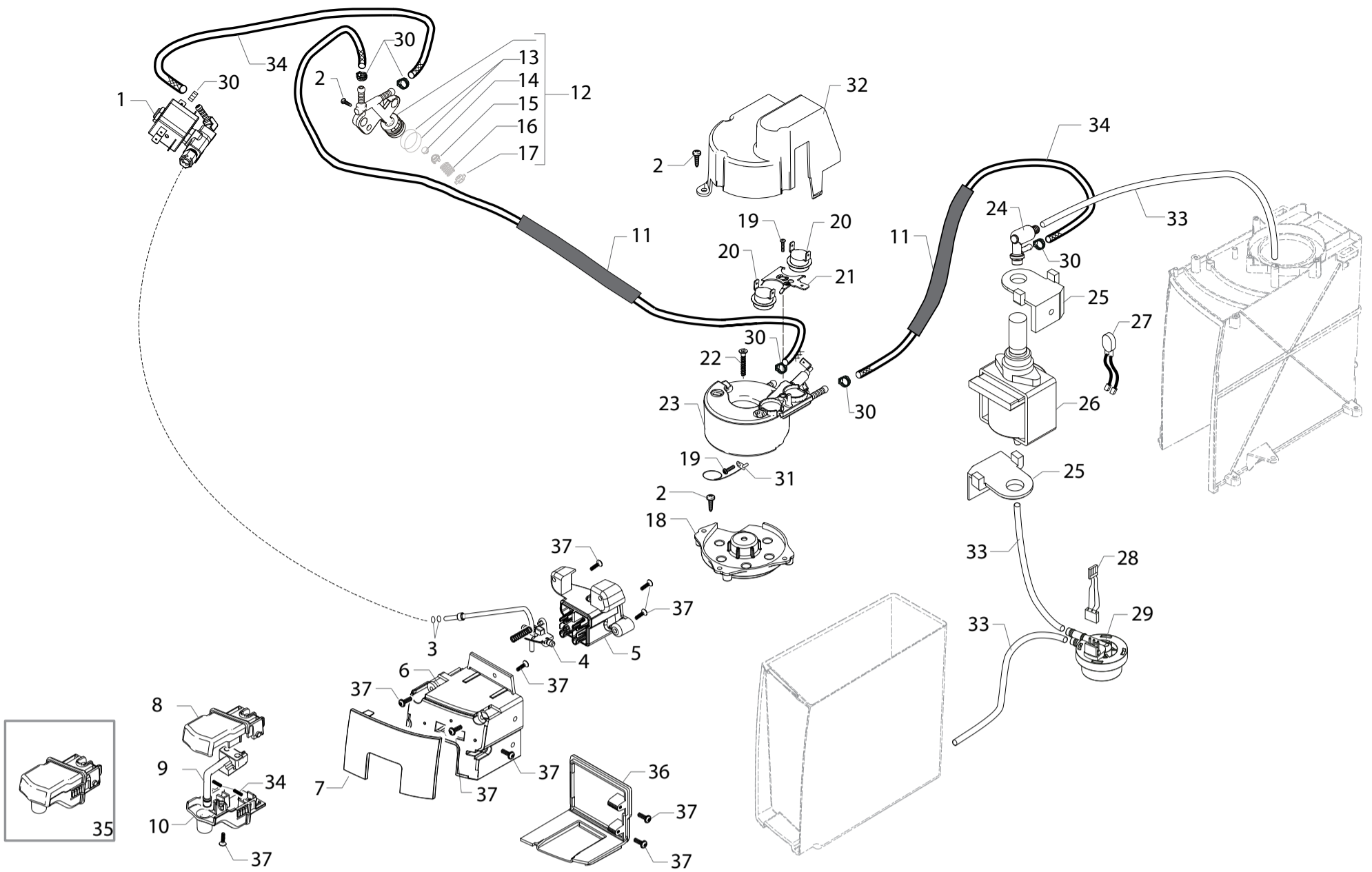


Cod.882877193540
Cod.882888919870
Cod.882890601010-882890606470

POS	CODE	12NC	DESCRIPTION	NOTE	POS	CODE	12NC	DESCRIPTION	NOTE
01	17001743	996530072681	SS/BLK CARAFE COVER PLUG NPR/T ASSY.						
02		421944054231	MATT/BLK CARAFE CAPPUC.COVER V6 NPR/T						
03	17001194	996530069788	CARAFE STEAM OUTPUT CONNECT.NPR/T ASSY.						
04		421941262132	BLACK CARAFE CAPPUC.PIN V3 NPR/T ASSY						
05	NM01.028	996530059392	O-RING 106 SILICONE						
06	11027297	996530069794	SILICONE TUBE 3,5X6 L= 75 MM						
07	9161.111	996530050555	MAGNET FOR FLOAT SUPERAUT.						
08	11030762	996530072645	MATT/BLACK LOWER COVER PART CARAFE NPR/T						
09	12001804	996530072691	OR ORM 0170-15 EPDM						
10	129914002	996530013165	SCREW TCB TORX 10 3,5X16 PLAST.ZN-B						
11		421944001291	BLK CARAFE REAR COVER INSERT V2 NPR/T						
12	17000585	996530069827	BLACK CARAFE MILK DISPENSER TUBE NPR/T						
13	11030761	996530072649	MATT/BLACK UPPER COVER PART CARAFE NPR/T						
14	17000822	996530069837	BLK CAPPUC.OUTPUT MILK CONN.CARAFE NPR/T						
15	17000489	996530069847	BLACK CARAFE CAPPUC.CASING NPR/T						
16	11014016	996530006968	SS.INSERT FOR MAGNET MYB9						
17	9991093	996530051816	MAGNET D=9,5 X H=1,5						
18	17001604	996530071934	BLACK CARAFE COVER BUSH V2 NPR/T						
19	20007112	996530072685	SPARES KIT SS/BLK CARAFE HANDLE V2 NPR/T						
20	12001801	996530072674	OR ORM 0190-20 EPDM						
21		421941287432	BLACK CAPPUC.PIN SUPPORT V3 NPR/T						
22		421944054802	TRANSP-M/BLK GEN.CARAFE V2 NP5/T ASSY						
23		421941308931	KIT SPARES M/BLK UPP.COV.CAR.NPR/T						



INTELIA EVO2 OTC
INTELIA CAPP.EVO2



HD8771/93
HD8889/19
HD8906/01-06

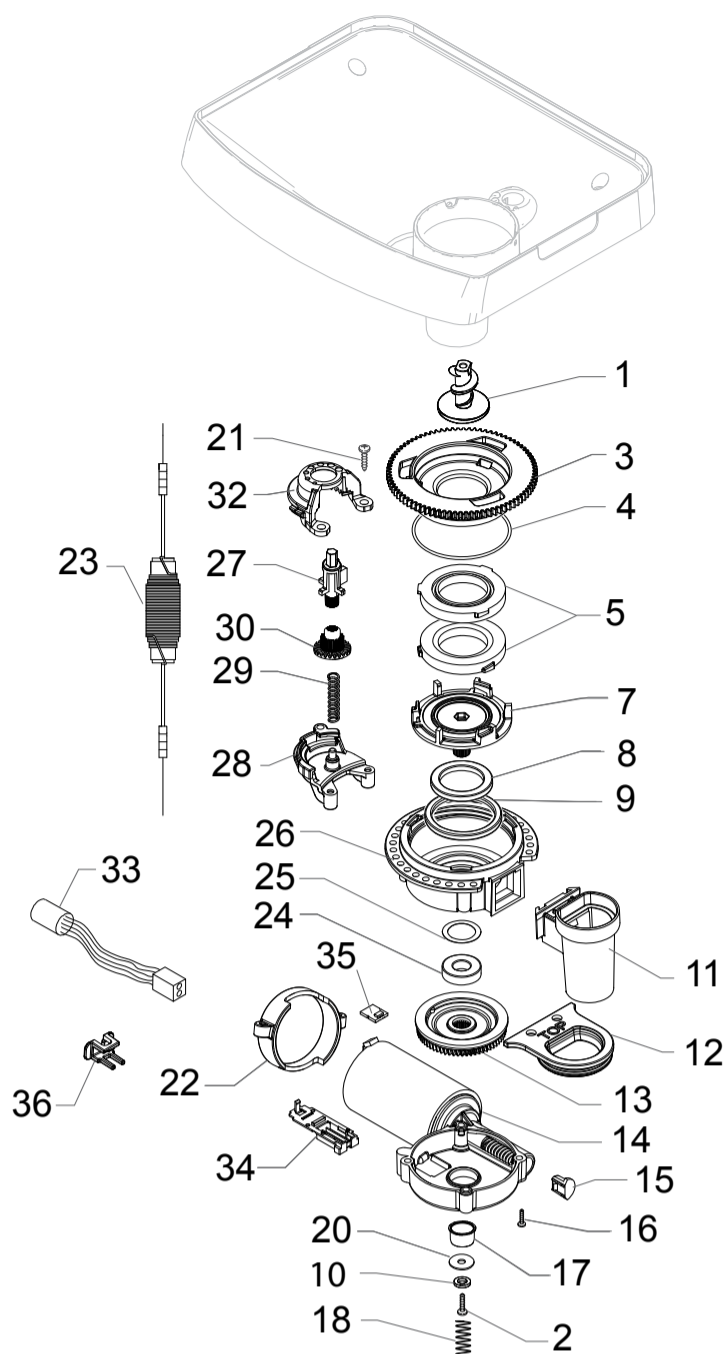


Cod.882877193540
Cod.882888919870
Cod.882890601010-882890606470

POS	CODE	12NC	DESCRIPTION	NOTE	POS	CODE	12NC	DESCRIPTION	NOTE
01		421944007421	SOLENOID VALVES V2 NPR/T 24V ASSY.		35	11030842	996530072651	M/BLK HOT WATER DISPENSER NPR/T ASSY.	
02	12000450	996530007819	SCREW TCB TORX 10 3,5X12 PLAST.ZN-N		36	17001142	996530069799	BLK CARAFE INSERT BODY REAR COVER NPR/T	
03	140328059	996530013564	OR 2015 SILICONE PTFE/FDA		37	129913902	996530013164	SCREW TCB TORX 10 3X12 PLAST.ZN-B	
04		421944009021	WHT PREFORM.TEFLON TUBE SUPP.V2 NPR ASSY						
05	17000601	996530069855	BLACK CARAFE GRAFT BODY INSERT NPR/T				421944056011	GEN.TUB.BOILER NP5 1900W 230V ASSY	COMPLETE
06	17000600	996530069804	BLACK CARAFE INSERT BODY NPR/T					WHITH PART. N°19-20-21-23-31	
07	11028591	996530070396	SS CARAFE INS.BODY FRONT COVER NPR/T MAS				421944058671	GEN.TUB.BOILER NP5 1300W 120V ASSY	COMPLETE
08	11030763	996530072648	M/BLK UPPER BODY HOT WATER DISP.NPR/T					WHITH PART. N°19-20-21-23-31	
09	17001215	996530069842	BLACK HOT WATER DISPENSER TUBE NPR/T						
10	17001205	996530069867	BLK LOWER BODY HOT WATER DISPENS.NPR/T						
11	16000540	996530009523	TRANSPAR. 10,5X12,3 SILICONE TUBE	IN ROLL					
12	17000114	996530068077	FLOW SELECTOR FAUCET NPR						
13		NOT AVAILABLE	SEE POS.12						
14		NOT AVAILABLE	SEE POS.12						
15		NOT AVAILABLE	SEE POS.12						
16		NOT AVAILABLE	SEE POS.12						
17		NOT AVAILABLE	SEE POS.12						
18		421941215942	BLK SLIM/EXSL TUB.BOILER SUPPORT V2						
19	12001715	996530069758	SCREW TCB TORX 20 M4X8 AUTOFORMING ZN-B						
20	12001033	996530007973	THERMOSTAT ONE SHOT 190°						
21	11001751	996530000997	TUB.BOILER V3 UPPER THERM.FIXING SPRING						
22	12001280	996530008024	SCREW TSP TORX 10 5X20 PLAST.ZN-B						
23		421944028841	TUB.BOILER XS4 ASSY.	230V-1900W					
		421944046121	TUB.BOILER XS4 ASSY.	120V-1300W					
24	11024863	996530068178	L-F/BR.SAFETY VALVE 16-18 BAR ASSY.						
25	149205850	996530018056	BLACK TYPE ULKA PUMP W/BEVEL SUPPORT						
26		421941305991	ULKA PUMP EP5FMGW	230V-50HZ					
	12000142	996530007754	ULKA PUMP EAP5/S	120V-60HZ					
	12000182	996530007782	ULKA PUMP EP5/S GW	220V-60HZ					
27		421946000131	2P.CONN.PUMP V2 CLP UL ASSY.						
28		421946000141	3P.CONN.FLOWMETER V2 CLP UL ASSY.						
29	NV99.099	996530059843	TURBINE D=1,2 932-8521/00 ASSY.						
30	12000892	996530007947	OETIKER CLAMP D=9,5 16700004						
31	190800100	996530026997	TEMPERATURE SENSOR NTC UL L=280MM						
32		421941284802	GRY BOILER INSULATING COVER NPR						
33	JS01.022	996530057357	SILICONE TUBE 5X10 60SH	IN ROLL					
34	11005395	996530002873	MILK CONTAINER SUPPORT SPRING P124						



INTELIA EVO2 OTC
INTELIA CAPP.EVO2



HD8771/93
HD8889/19
HD8906/01-06

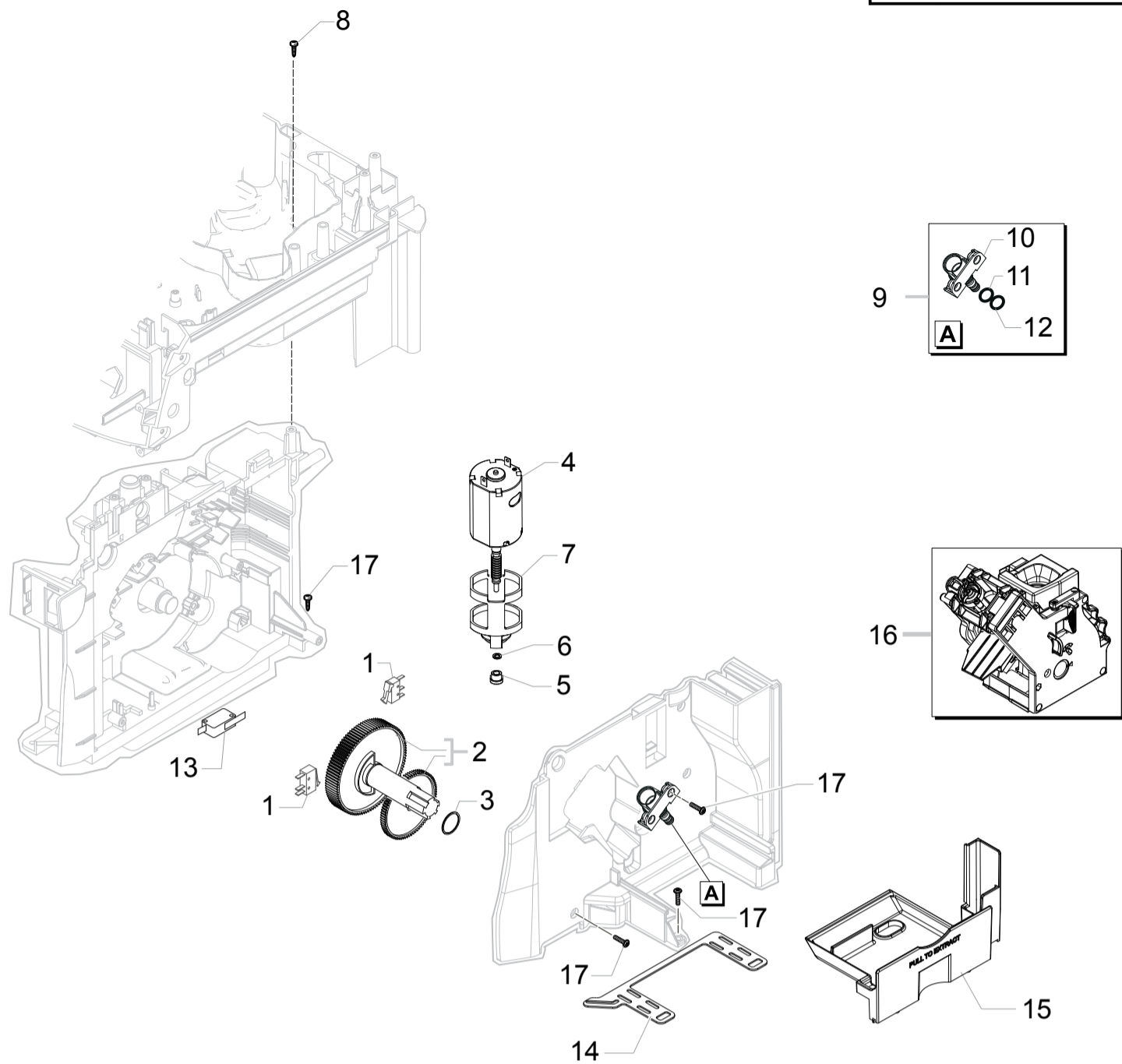


Cod.882877193540
Cod.882888919870
Cod.882890601010-882890606470

POS	CODE	12NC	DESCRIPTION	NOTE	POS	CODE	12NC	DESCRIPTION	NOTE
01	11010031	996530005586	TEA/ZAMA INCREASE SCREW GRINDER						
02	129574802	996530012928	SCREW TCB TORX 20 M4X30 ZN-B				421944054091	GEN.MOTOR COF.GRINDER NP5 ASSY.	230V
03		421941094152	BLK COF.GRINDER UPPER GRINDER SUPPORT V2				421944058761	GEN.MOTOR COF.GRINDER NP5 ASSY	120V
04	140328960	996530013577	OR ORM 0530-15 NBR FDA						
05	146520100	996530016342	BAKED CLAY GRINDER 48X28						
06	11012466	996530006412	BRASS BUSH BEAN CONT.FINGER PROTEC.P0057						
07	149198350	996530017952	BLK LOWER COFFEEGRINDER GRINDER SUPPORT						
08	123030300	996530011183	AXIAL BEARING EKKO 342.35252						
09	140360500	996530013597	FELT RING 45,4X39,4X4						
10	128310402	996530012341	GALV.WASHER UNI 8842 A4						
11	11026355	996530068049	BLK GROUND COFF.OUTLET CONVEYOR V4 ASSY.						
12		421944060561	GRY GROUND COF.CONT.LOWER SEAL V2 SMART1						
13	226000300	996530029609	GEAR SX Z=38 FOR GRINDER MOTION ASSY.						
14		421944049151	MOTOR COFFEEGRINDER V3.2 ASSY.	230V					
		421941305001	MOTOR COFFEEGRINDER V3.1 ASSY.	120V					
15	149214800	996530018139	MC V3 MOD=1,25 WORM SCREW CENTRING CAP						
16	129661702	996530012992	SCREW TCB TORX 3,5X30 PLAST.ZN-B						
17	11002873	996530001389	INSULATOR BUSH FOR GRINDER MOTOR P124						
18	11000597	996530000376	COFFEE GRINDER SUPPORT SPRING P124						
19	11014285	996530007058	BLK V2 BEAN CONTAIN.FINGER PROTECT.P0057						
20	128381902	996530012375	STEEL FLAT WASHER DI=4,3 DE=14 SP=1,5						
21		421944016761	SCREW TCB TORX 10 3,5X12 PLAST.ZN-NI						
22	11000194	996530000115	BLACK COFFEEGRINDER MOTOR SUPPORT P124						
23		421946031681	2P.CONN.COF.GRINDER MOTOR NP5 UL ASSY						
		421946000121	2P.CONN.COF.GRINDER MOTOR V2 NPR UL ASSY	HD8771/93					
24	123030200	996530011182	RADIAL BEARING 61900.2RS1						
25	128381800	996530012374	STEEL CRINKLE WASHER 21,8X14X0,25						
26	142905450	996530015258	BLK UPPER BODY WITH COFFEE GROUND OUTLET						
27		421944025161	YLW BEAN COFFEE GRINDER INSERT SMR						
28	11002613	996530001314	LOWER COFFEEGRINDER GEAR SUPPORT P124						
29	11002572	996530001308	COFFEEGRINDER REGULATION SPRING P124						
30	11003784	996530001907	COFFEE GRINDING ADJUSTMENT GEAR P0049						
31	U043.004	996530061808	ZN-B TCB SCREW M4X16						
32	11002508	996530001296	UPPER COFFEEGRINDER GEAR SUPPORT P124						
33		421946000091	3P.CONN.MC SENSOR V2 NPR UL ASSY.	HD8771/93					
34	149199050	996530017963	BLK SENSOR SUPPORT FOR COF.GRINDER MOTOR	HD8771/93					
35	181540900	996530022784	ELECTR.BOARD WITH SENSOR HAL506 SF-K	HD8771/93					
36	17001921	996530072477	BLK WIRING FIX INSERT FOR GRINDER BOARD	HD8771/93					



INTELIA EVO2 OTC
INTELIA CAPP.EVO2

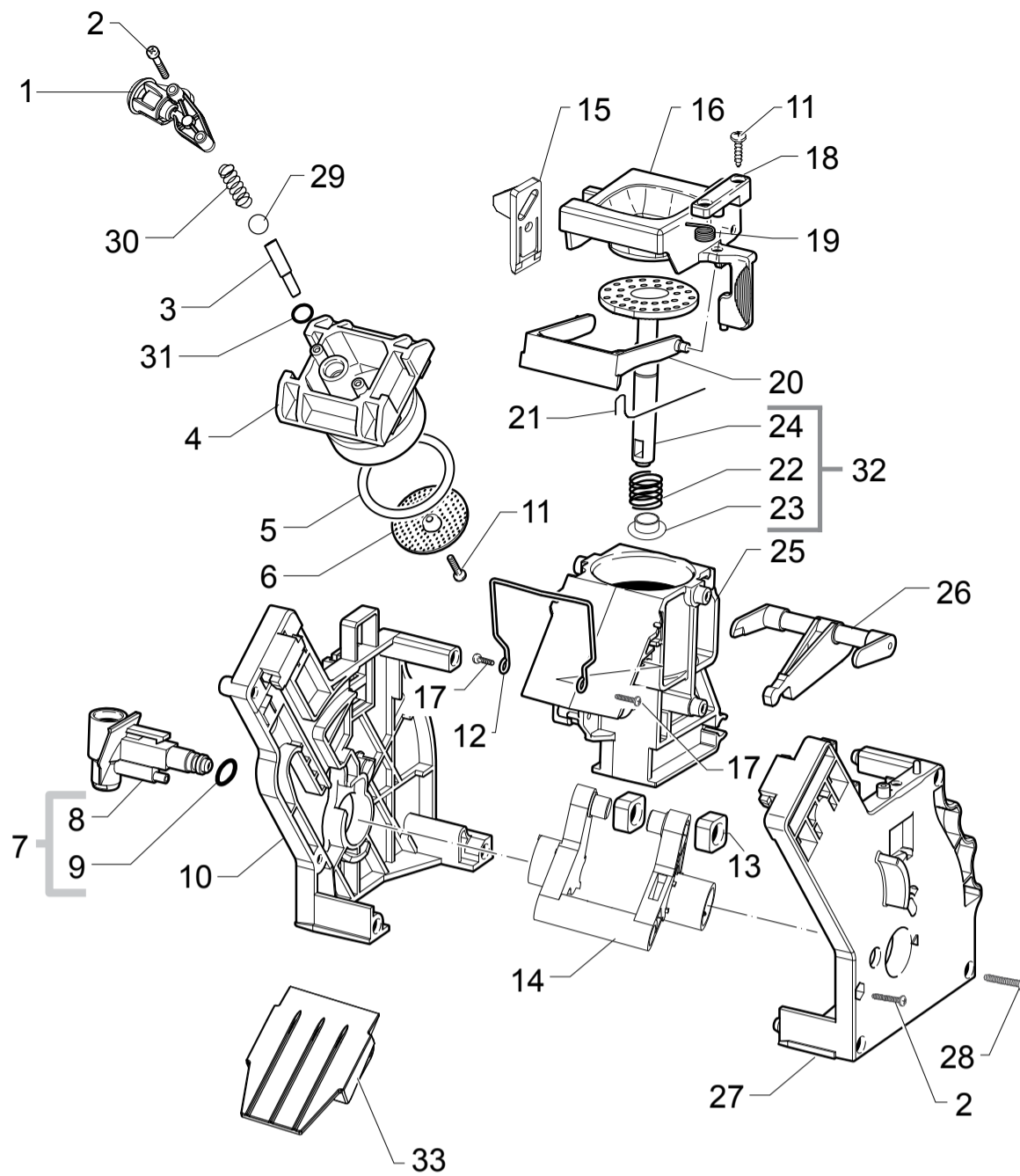


HD8771/93
HD8889/19
HD8906/01-06



Cod.882877193540
Cod.882888919870
Cod.882890601010-882890606470

POS	CODE	12NC	DESCRIPTION	NOTE	POS	CODE	12NC	DESCRIPTION	NOTE
01		421946025541	MICROSWITCH XC/SM1 V2						
02	20000900	996530009913	SPARES KIT GEARS FOR RATIOMOTOR V2						
03	9161.132	996530050569	MYLAR WASHER FOR RATIOMOTOR						
04	11005214	996530002796	MOTOR FOR RATIOMOTOR P124 ASSY.						
05	9121.046	996530049898	BRONZE SINTERED BUSH FOR MOTOR RATIOMOT.						
06	148380200	996530017424	BAKELIZZATE WASHER D=5,5						
07	9121.044	996530049896	ANTIVIBRATION FOR MOTOR						
08	12000450	996530007819	SCREW TCBR TORX 10 3,5X12 PLAST.ZN-N						
09		421944060181	PIN FOR FLOW SEL.FAUCET V2 PPS P0057 AS						
10		421944059371	PIN FOR FLOW SELECT.FAUCET PPS V2 P0057						
11	NM01.035	996530059399	OR ORM 0090-20 SILICONE						
12	NM01.057	996530059419	OR ORM 0050-20 IN SILICONE						
13	12001890	996530073209	MICROSWITCH XG/V3D						
14	17000685	996530072515	BLACK SEAL FOR RATIOMOTOR PLATE NPR						
15	17001336	996530068732	GREY BREW UNIT DRAWER COFFEE NPR						
16		421944053951	BLK BREW UNIT 8GR.5BAR V4 HGO						
17		421944016761	SCREW TCBR TORX 10 3,5X12 PLAST.ZN-NI						



Saeco
INTERNATIONAL GROUP

HD8771/93
HD8889/19
HD8906/01-06



Cod.882877193540
Cod.882888919870
Cod.882890601010-882890606470

POS	CODE	12NC	DESCRIPTION	NOTE	POS	CODE	12NC	DESCRIPTION	NOTE
01		421944065221	BLK BREW UNIT COF.OUTLET SLEEVE SMR ASSY						
02	12000550	996530007838	SCREW TCB TORX 10 3X25 PLAST.SS						
03	11009276	996530005372	BLK COUNTER PISTON TUBE BREW UNIT S0053						
04	11001840	996530001046	BLACK COUNTER PISTON BREW UNIT 8GR.P124						
05	NM01.044	996530059406	OR ORM 0320-40 SILICONE PTFE/FDA						
06	9161.268	996530050709	PERCOLATOR DE=35,8 ELFO						
07	20000440	996530009825	BLACK WATER INLET SLEEVE BREW UNIT ASSY.						
08	9161.064.050	996530050488	BLACK WATER INLET SLEEVE BREW UNIT ROYAL						
09	NM02.007	996530059441	OR 2025 IN TERMOIL						
10	9161.375.050	996530050832	BLACK BREW UNIT REAR PLATE SMART						
11	12000895	996530007951	SCREW TSP TORX 10 3X10 PLAST.SS						
12	11001556	996530000898	SS BREW UNIT SPRING H=49 SMART						
13	9161.094.050	996530050539	BLACK BREW UNIT DRILLED BLOCK						
14		421944051231	YLW BREW UNIT ELBOW SHAFT M5000						
15		421944046931	YLW BREW UNIT COUPLING PLATE V2 SMART						
16	149261350	996530018241	BLACK HOPPER DOSER BREW UNIT SMART1						
17	129912521	996530013148	SCREW TCB TORX 10 3,5X14 PLAST.SS						
18		421944050711	YLW BREW UNIT HOPPER BLOCKING PLATE SMART						
19	9161.378	996530050838	SS HOPPER SPRING FOR BREW UNIT SMART						
20	11004161	996530002096	BLACK SCRAPER FOR BREW UNIT M5000						
21	9161.046	996530050455	SS SCRAPER SPRING FOR BREW UNIT						
22	9161.198	996530050627	SS.8GR.BREW UNIT PISTON SPRING						
23	9161.191	996530050618	WHITE 8GR.-12GR.BREW UNIT PISTON BUSH						
24		421944025621	BLK BREW UNIT INTEGR.PISTON 8GR.V3 ASSY.						
25		421944014611	BLK COF.CONTAIN.BREW UNIT V2 M5000 ASSY.						
26	11003078	996530001452	BLACK CONNECTING ROD BREW UNIT 8GR.						
27	11005920	996530003228	BLACK BREW UNIT FRONT PLATE S/SCR.SMART						
28	12000897	996530007953	SCREW TCB TORX 10 3,5X20 PLAST.SS						
29		421944034451	BOROSILICATE SPHERE D.5 MM						
30	11012095	996530006305	SS COFFEE UNIT CONTERPISTON SPRING S0053						
31	140328761	996530013575	OR ORM 0060-15 TERMOIL						
32		421944029791	BLK BREW UNIT 8GR.INT.PISTON GEN.V3 ASSY						
33	17000663	996530073322	BLK BREW UNIT CONVEYOR SLIDE L=76,8						
		421944053951	BLK BREW UNIT 8GR.5BAR V4 HGO						

Saeco
INTERNATIONAL GROUP

INTELIA EVO2 OTC
INTELIA CAPP.EVO2

TABLE 7/7