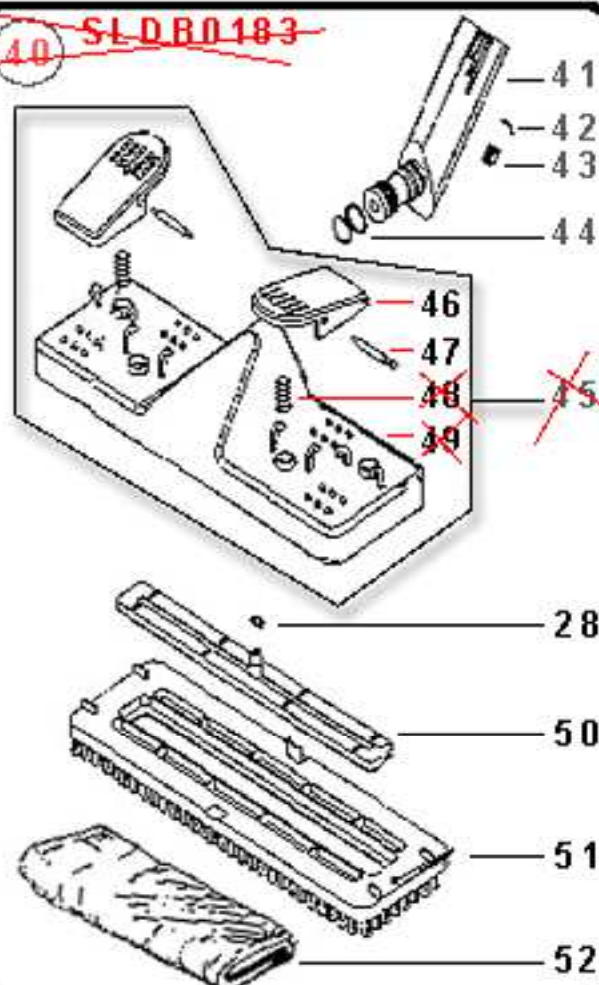


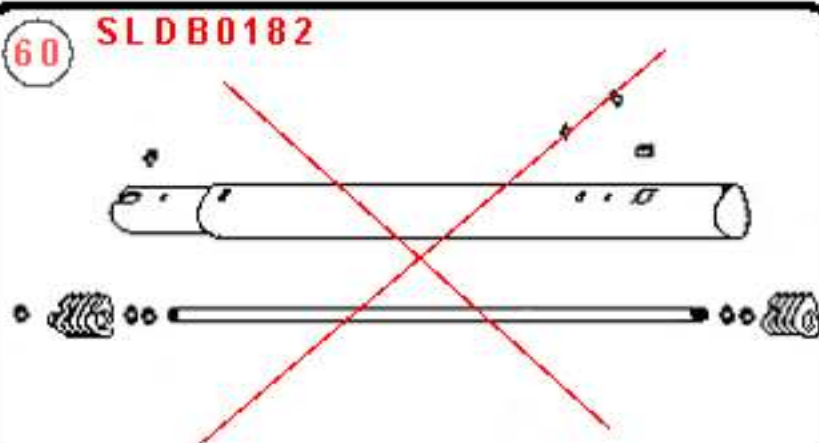
6 —   
7 — 

 — 20  
 — 18

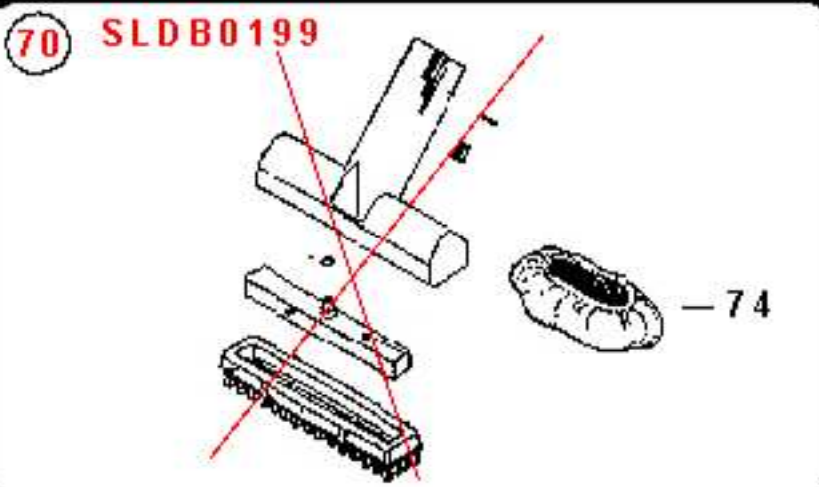
~~40 SLDB0183~~



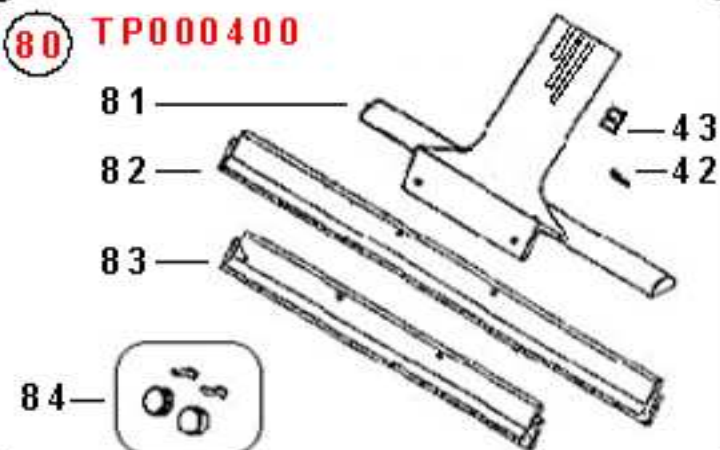
~~60 SLDB0182~~



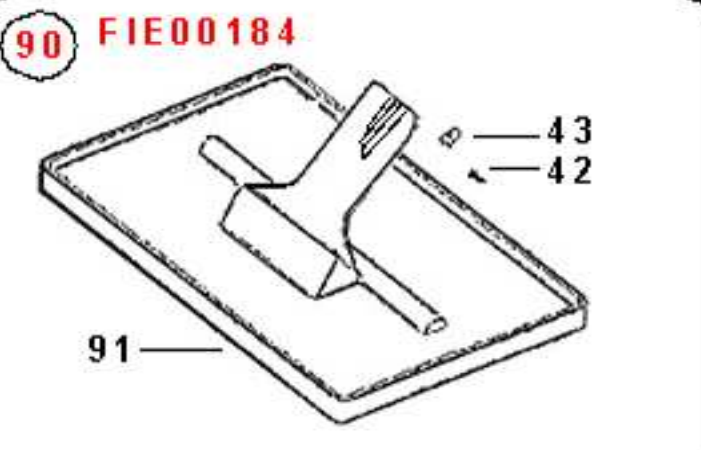
~~70 SLDB0199~~



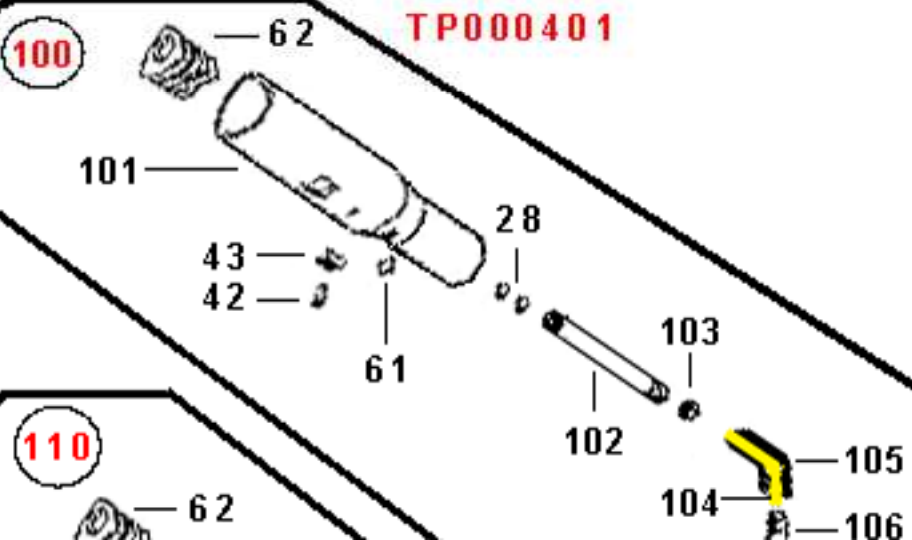
80 TP000400



90 FIE00184



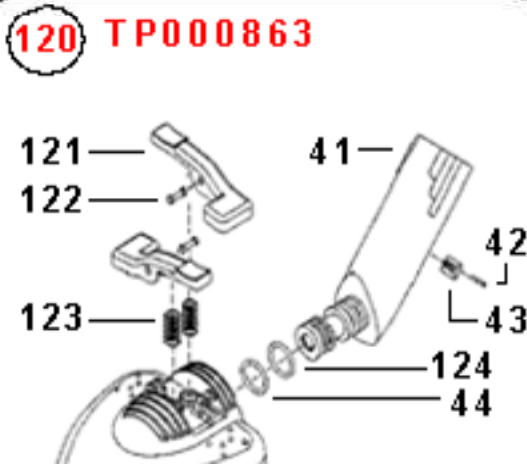
100 TP000401

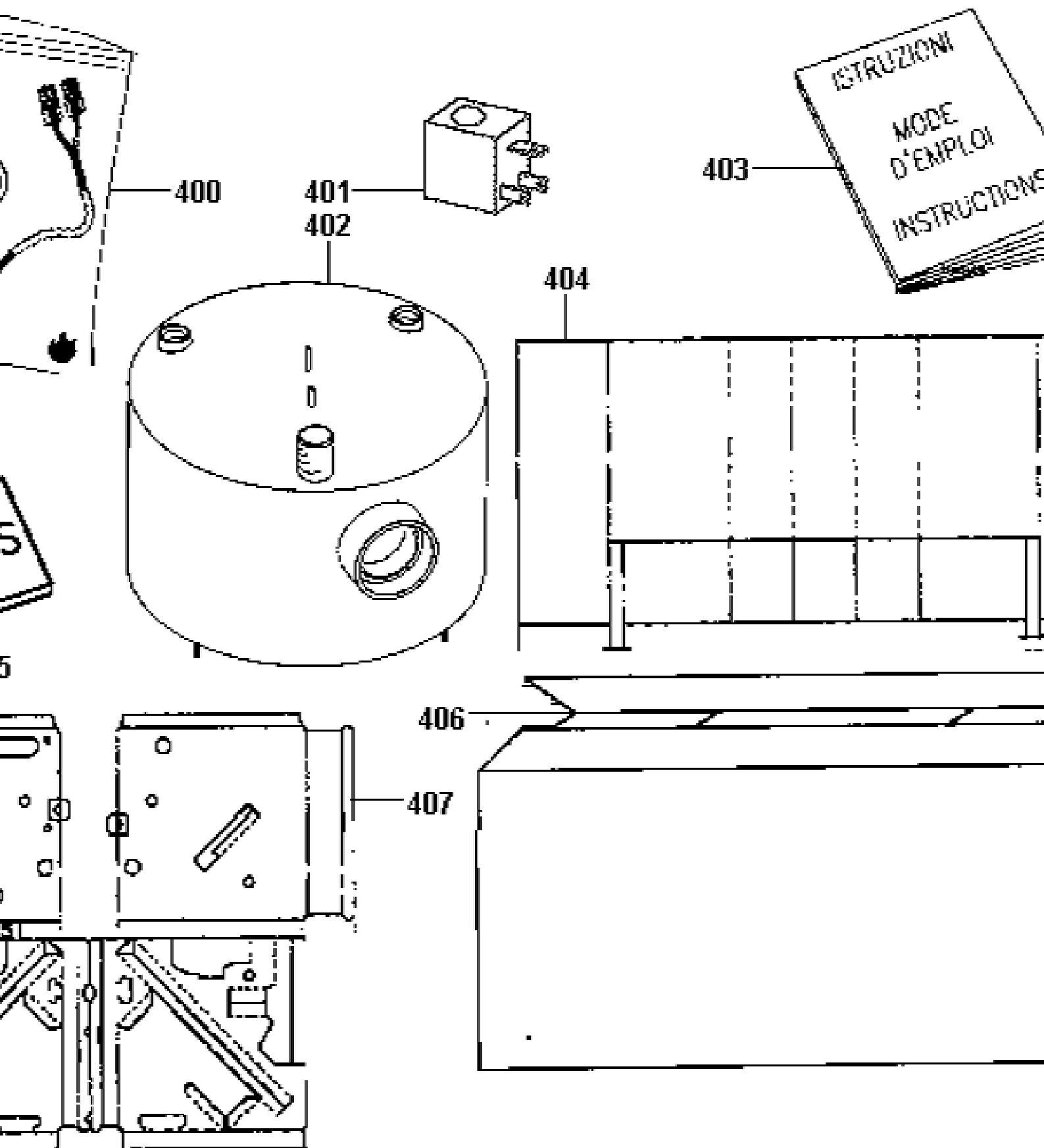


110



120 TP000863





**DATI TECNICI - DATES TECHNIQUES - TECHNICAL DATA**

| Capacità caldaia<br>Capacité boiler<br>Capacity boiler | Materiale Caldaia<br>Matériel Chaudière<br>Boiler Material | Regolazione<br>Réglage<br>Adjustment | Potenza caldaia<br>Puissance boiler<br>Power boiler | Pressione<br>Pression<br>Pressure |
|--|--|--------------------------------------|---|-----------------------------------|
| Litri  | Inox   | Si<br>Oui<br>Yes                     | 2200 W  |                                   |