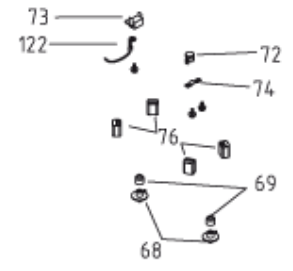
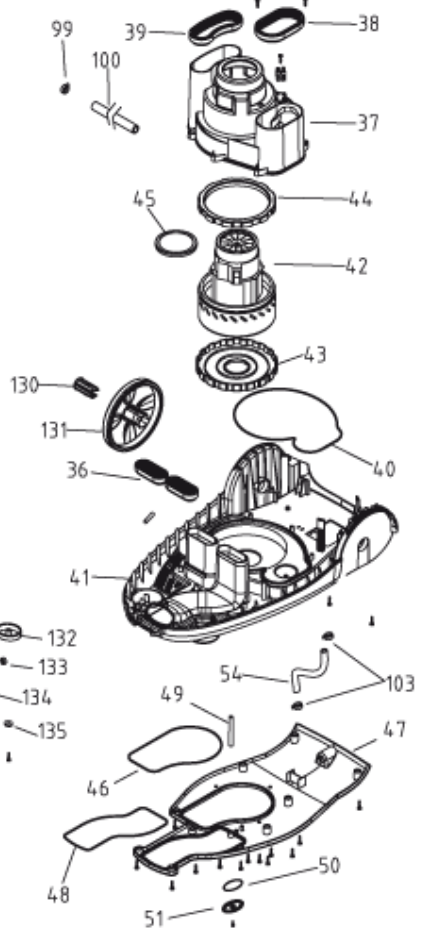
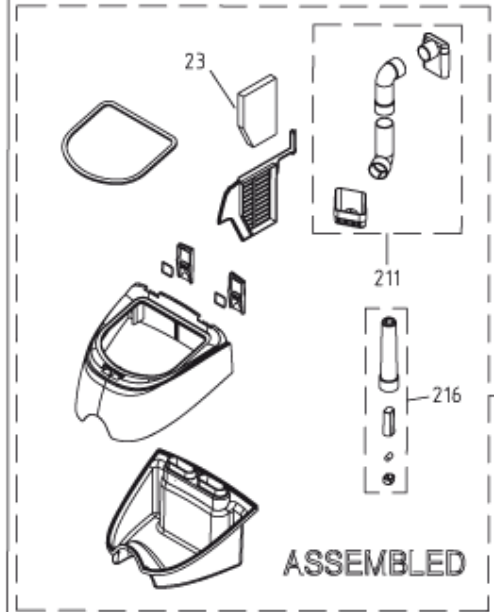
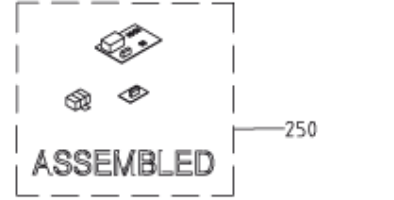
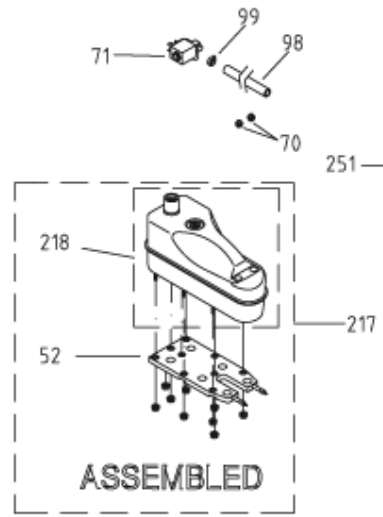
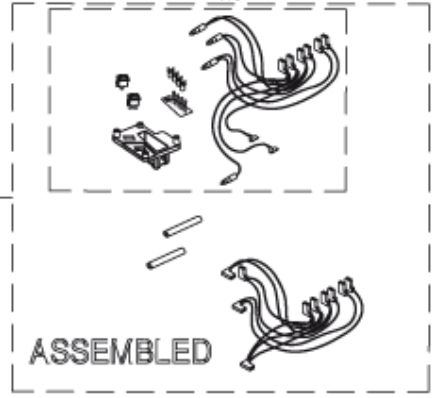
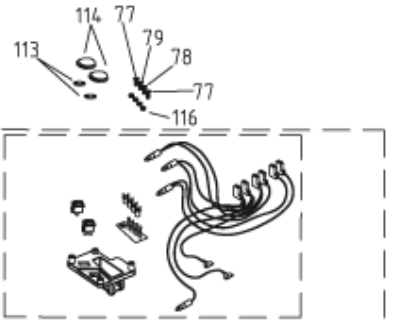
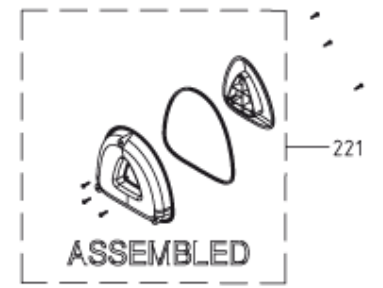
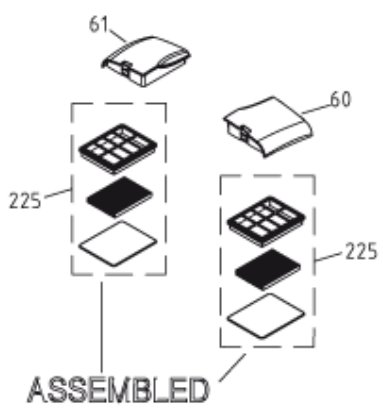
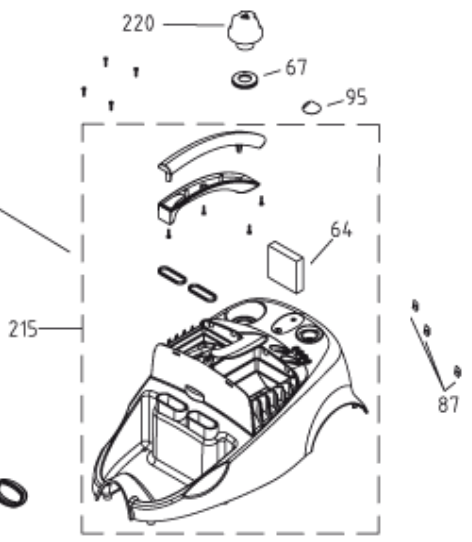
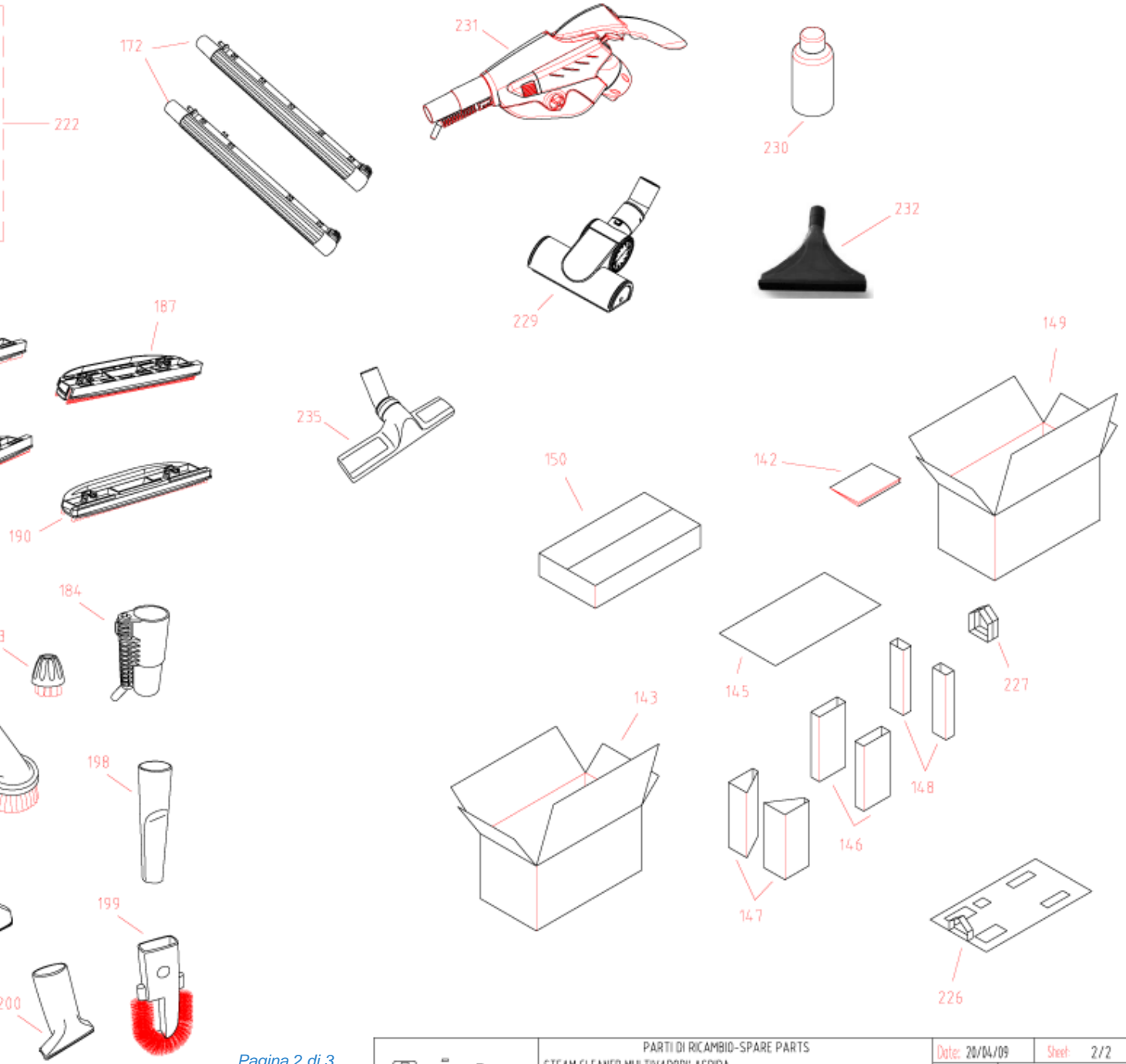
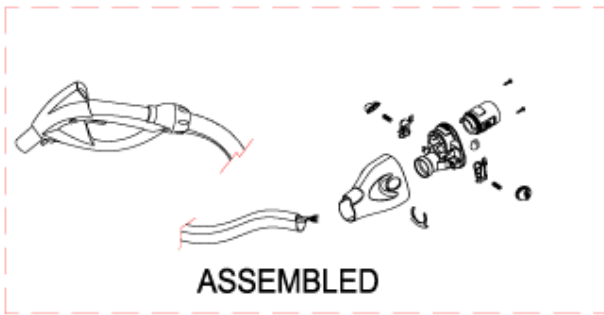


ASSEMBLED



- 132
- 133
- 134
- 135



Posizione	Codice	Descrizione
23	AT5195390100	SPUGNA MVA1 (01900)
42	AT5195730200	MOTORE CHUNLAN SHWX-130A 1300W
54	AT104360314	TUBO SILIC.4X9 ROSSO
60	AT5195530300	TAPPO FILTRO SCARICO MVA1-P26
61	AT5195530400	TAPPO FILTRO RAFFREDD.MVA1-P27
67	AT555008100	GUARNIZ.CARIC.SSE/G/1 G/S
70	AT555029110	TAMPONE SUPP.CALDAIA SILICONE
72	AT1770114001	TERMOSTATO 140°C 1NT02L C/TERM
73	AT5091210010	TERMOF.INTERC.318°C 155431.056
96	AT5196004600	ASS.REGOLAZ.VAP.COMPLETO
97	AT1531030104	DADO ESAGONALE 1/4' GAS ZINCAT
98	AT104325200	TUBO SILICONE TRASPARENTE (4X8)
103	AT504360900	FASCETTA AUTOSERRANTE 096
111	AT5195760100	INT.BIPOLARE DEFOND CPU-1113-R
113	AT5195504500	SOTTOTASTO MVA1-P32 (00346)
132	AT5165506600	SEDE RUOTA PIVOTTANTE GRI.432C
183	AT5195508000	SPAZZOLINO MVA1 GRI.P432C (021
184	AT5196004700	ASS.SNODO INCLINATO MVA1 (0219
185	AT5195508700	PENNELLO GRANDE MVA1 GRI.P432C
187	AT5196006100	ASS.ACCESS.PAVIM.BAGNATO MFB M
188	AT5196006200	ASS.SPAZZ.MULTIF.MVA1 GRI.P432
189	AT5196005500	ASS.ACCESS.TAPPETO MFB MVA1 GR
193	AT5196005700	ASS.ACCESS.LEGNO MFB MVA1 GRI.
194	AT5196006500	ASS.ACCESS.PULISCIVETRO SB MVA
196	AT5196005800	ASS.ACCESS.PAVIM.MFB MVA1 GRI.
201	AT522326500	MISURINO CSM/P/22
202	AT522326200	IMBUTO CSM/P/20
210	AT5196003600	ASS.COP.SERBATOIO MVA1
214	AT5196003400	ASS.CONNESS.ELETTR.MVA1 C/SPOR
216	AT5196003900	ASS.GALLEGGIANTE MVA1 C/CAPPUC
217	AT5196003000	ASS.CALDAIA COMPL.MVA1
220	AT5196004300	ASS.TAPPO SIC.TAR.5,3-5,9 GRI.
222	AT5196006800	ASS.LANCIA MVA1 COMPL.GRI.P432
232	AT5166021600	SPAZZ.TRIANG.TRASP.2477 AR.CAP
250	AT5196004400	KIT SCHEDA ELTTR./TRASFORM./PC