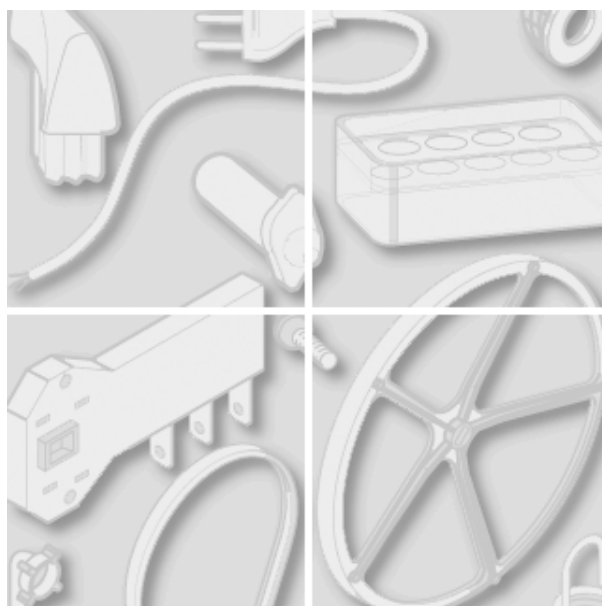


Whirlpool



Sigla Modello:

MWP 253 W

MWP 253 W

Codice commerciale:

859991557020

859991557020

KitchenAid

Whirlpool

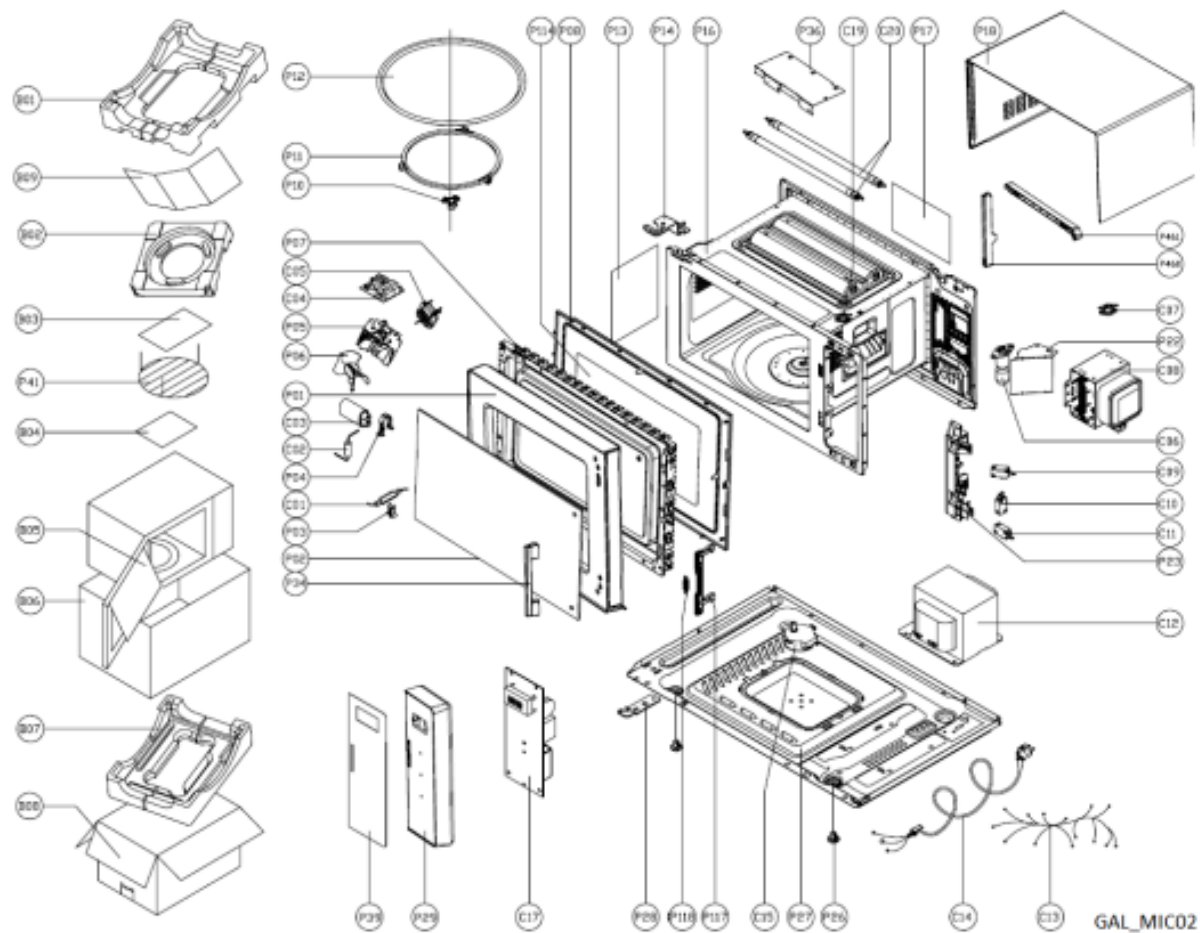
Hotpoint

Bauknecht

i INDESIT

WHR12227

Tavole



WHR12227

Lista

Ricambi

Rif.	Cod.Ricam	Dal S/N	Al S/N	Sostituto	Descrizione	Notizia	Codice
999	C00542807				schema cablaggio whp		
999	C00542808				istruzioni per l'uso whp		
B01	482000100209 (C00534748)				cuscinio upper foam		
B02	482000100210 (C00534749)				cuscinio turntable		
B03	482000100557 (C00535177)				cuscinio turntable		
B04	482000100211 (C00534750)				manuale		
B05	482000100212 (C00534751)			1 x 482000100054 (C00534596)	copertur.protez film		
B06	482000100558 (C00535178)				sacchetto		
B07	482000100213 (C00534752)				cuscinio lower		
B08	482000100559 (C00535179)				sacchetto carton		
B09	482000100214 (C00534753)				card board		
C01	482000100192 (C00534731)			1 x 482000097127 (C00514163)	fusibile h.v.		
C02	482000100193 (C00534732)			1 x 482000097128 (C00514164)	diodo h.v.		
C03	482000100194 (C00534733)			1 x 480120101486 (C00380498)	condensatore h.v.		
C04	482000100195 (C00534734)			1 x 482000100036 (C00534578)	filtro board		
C05	482000100196 (C00534735)			1 x 482000100037 (C00534579)	ventaglio motor		

C06	482000100197 (C00534736)	1 x 482000097132 (C00514168)	lampada
C07	482000100198 (C00534737)	1 x 482000100039 (C00534581)	termostato 1
C08	482000100199 (C00534738)	1 x 482000097134 (C00514170)	magnetron
C09	482000100200 (C00534739)	1 x 480120101212 (C00389388)	microinterruttore
C10	482000100201 (C00534740)	1 x 480120101211 (C00376823)	microinterruttore
C11	482000100202 (C00534741)	1 x 480120101211 (C00376823)	microinterruttore
C12	482000100203 (C00534742)	1 x 482000100044 (C00534586)	trasformatore
C13	482000100204 (C00534743)	1 x 482000100045 (C00534587)	cablaggio
C14	482000100205 (C00534744)	1 x C00535161 (488000535161)	unita di potenz cord
C15	482000100206 (C00534745)	1 x 482000100155 (C00534694)	piatto rotante motor
C17	482000100207 (C00534746)	1 x 482000100156 (C00534695)	scheda program p.c.
C19	482000100208 (C00534747)	1 x 482000100157 (C00534696)	termostato
C20	482000100556 (C00535176)	1 x 482000005342 (C00409266)	termostato
P01	482000100165 (C00534704)		cornice porta
P02	482000100166 (C00534705)		porta window board
P03	482000100167 (C00534706)	1 x 482000100008 (C00534550)	fusibile socket
P04	482000100168 (C00534707)	1 x 482000097100 (C00514136)	supporto capacitor
P05	482000100169 (C00534708)	1 x 482000100010 (C00534552)	squadretta fan
P06	482000100170 (C00534709)	1 x 482000100011 (C00534553)	ventaglio blade

WHR12227

Lista

Ricambi

Rif.	Cod.Ricam	Dal S/N	Al S/N	Sostituto	Descrizione	Notizia	Codice
P07	482000100171 (C00534710)			1 x 482000100012 (C00534554)	porta plate		
P08	482000100172 (C00534711)			1 x 482000100013 (C00534555)	targa board		
P10	482000100173 (C00534712)			1 x 482000100014 (C00534556)	perno		
P11	482000100174 (C00534713)			1 x 482000100015 (C00534557)	ruota assy		
P114	482000100189 (C00534728)			1 x 482000100030 (C00534572)	coperchio inlaid		
P117	482000100190 (C00534729)			1 x 482000100137 (C00534676)	cerniera door		
P118	482000100191 (C00534730)			1 x 482000100032 (C00534574)	cerniera door spring		
P12	482000100175 (C00534714)			1 x 482000100016 (C00534558)	piatto rotante glass		
P13	482000100176 (C00534715)			1 x 482000100017 (C00534559)	targa splash mica sheer		
P14	482000100177 (C00534716)			1 x 482000100018 (C00534560)	cerniera super.		
P16	482000100178 (C00534717)				muffola		
P17	482000100179 (C00534718)			1 x 482000097111 (C00514147)	inserto portat. rear		
P18	482000100180 (C00534719)				mobile outer		
P22	482000100181 (C00534720)			1 x 480120101358 (C00389415)	squadretta air duct		
P23	482000100182 (C00534721)			1 x 482000100023 (C00534565)	interruttore mount		
P26	482000100183 (C00534722)			1 x 480120101361 (C00389417)	pedino		

P27	482000100184 (C00534723)	1 x 482000100025 (C00534567)	piastra base
P28	482000100185 (C00534724)	1 x 482000100026 (C00534568)	cerniera infer.
P29	482000100186 (C00534725)		coperchio face board
P34	482000100187 (C00534726)		maniglia
P36	482000100552 (C00535172)	1 x 482000100133 (C00534672)	resistenza barrier
P39	482000100188 (C00534727)		interruttore thin film
P41	482000100553 (C00535173)	1 x 482000100135 (C00534674)	vaschetta metal
P460	482000100554 (C00535174)	1 x 482000100139 (C00534678)	unita operativa pommel
P461	482000100555 (C00535175)	1 x 482000100140 (C00534679)	fascetta insulated a