

Whirlpool



Sigla Modello:

MWP 253 SB

MWP 253 SB

Codice commerciale:

859991557060

859991557060

KitchenAid

Whirlpool

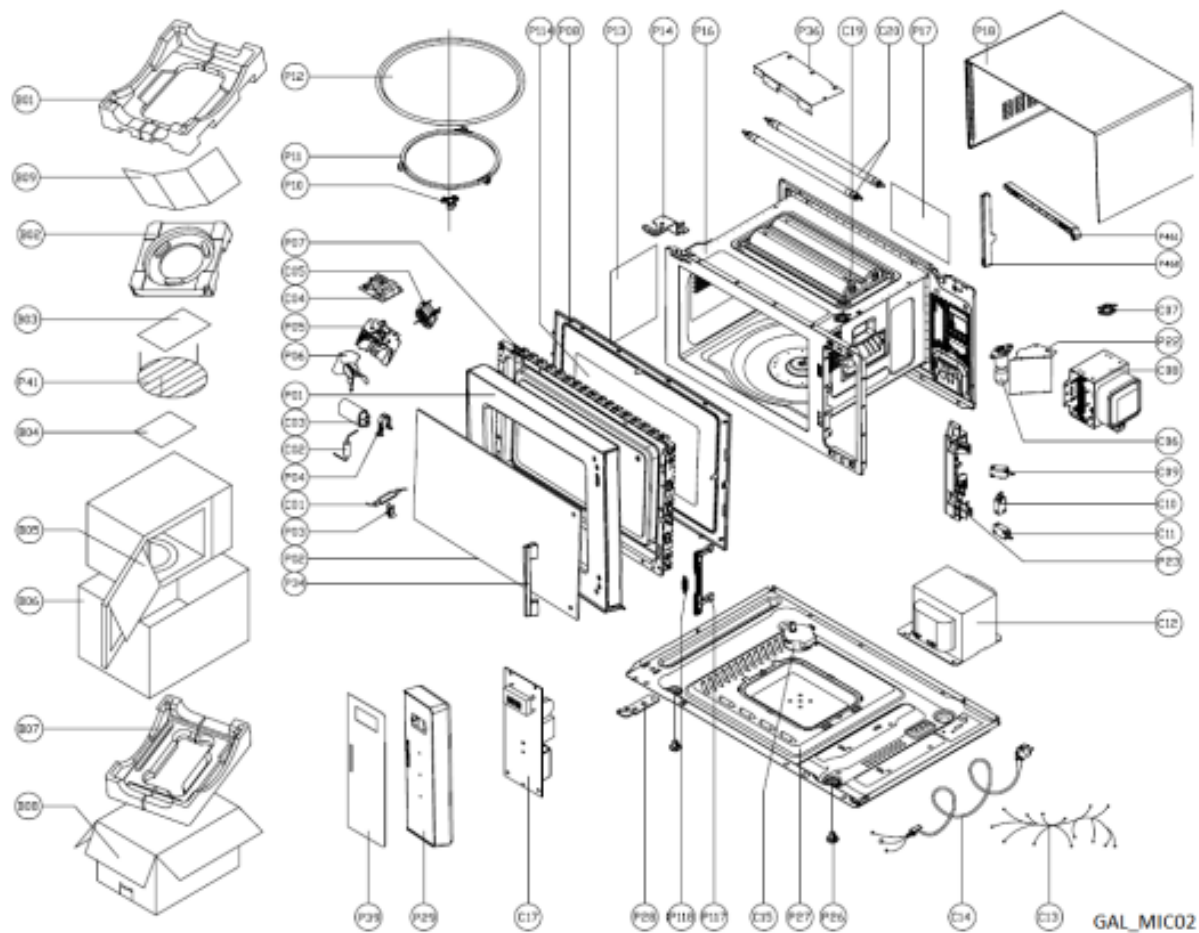
Hotpoint

Bauknecht

i INDESIT

WHR12228

Tavole



WHR12228

Lista

Ricambi

Rif.	Cod.Ricam	Dal S/N	Al S/N	Sostituto	Descrizione	Notizia	Codice
999	C00542810				istruzioni per l'uso whp		
999	C00542809				schema funzionale whp		
999	C00603747 (488000603747)				lampada		
B01	482000100491 (C00535050)				cuscinio upper foam		
B02	482000100492 (C00535051)			1 x 482000100160 (C00534699)	piatto rotante cushion		
B04	482000100493 (C00535052)				manuale		
B05	482000100494 (C00535053)			1 x 482000100054 (C00534596)	coperchio film protection		
B07	482000100495 (C00535054)				cuscinio lower		
C01	482000100473 (C00535032)			1 x 482000097127 (C00514163)	fusibile h.v.		
C02	482000100474 (C00535033)			1 x 482000097128 (C00514164)	diodo h.v.		
C03	482000100475 (C00535034)			1 x 480120101486 (C00380498)	condensatore h.v.		
C04	482000100476 (C00535035)			1 x 482000100036 (C00534578)	filtro board		
C05	482000100477 (C00535036)			1 x 482000100037 (C00534579)	ventaglio motor		
C06	482000100478 (C00535037)			1 x 482000097132 (C00514168)	lampada		
C07	482000100479 (C00535038)			1 x 482000100039 (C00534581)	termostato l		
C08	482000100480 (C00535039)			1 x 482000097134 (C00514170)	magnetron		

C09	482000100481 (C00535040)	1 x 480120101212 (C00389388)	microinterruttore
C10	482000100482 (C00535041)	1 x 480120101211 (C00376823)	microinterruttore
C11	482000100483 (C00535042)	1 x 480120101211 (C00376823)	microinterruttore
C12	482000100484 (C00535043)	1 x 482000100044 (C00534586)	trasformatore
C13	482000100485 (C00535044)	1 x 482000100045 (C00534587)	cablaggio
C14	482000100486 (C00535045)	1 x C00535161 (488000535161)	unita di potenz cord
C15	482000100487 (C00535046)	1 x 482000100155 (C00534694)	piatto rotante motor
C17	482000100488 (C00535047)	1 x 482000100156 (C00534695)	scheda control p.c.
C19	482000100489 (C00535048)	1 x 482000100157 (C00534696)	termostato
C20	482000100490 (C00535049)	1 x 482000005342 (C00409266)	tubo quarts
P01	482000100442 (C00535001)	1 x 482000100006 (C00534548)	cornice porta
P02	482000100443 (C00535002)	1 x 482000100007 (C00534549)	porta window board
P03	482000100444 (C00535003)	1 x 482000100008 (C00534550)	fusibile socket
P04	482000100445 (C00535004)	1 x 482000097100 (C00514136)	condensatore holder
P05	482000100446 (C00535005)	1 x 482000100010 (C00534552)	ventaglio bracket
P06	482000100447 (C00535006)	1 x 482000100011 (C00534553)	ventaglio blade
P07	482000100448 (C00535007)	1 x 482000100012 (C00534554)	porta plate
P08	482000100449 (C00535008)	1 x 482000100013 (C00534555)	targa board
P11	482000100451 (C00535010)	1 x 482000100015 (C00534557)	ruota assy

WHR12228

Lista

Ricambi

Rif.	Cod.Ricam	Dal S/N	Al S/N	Sostituto	Descrizione	Notizia	Codice
P114	482000100468 (C00535027)			1 x 482000100030 (C00534572)	coperchio inlaid		
P117	482000100469 (C00535028)			1 x 482000100137 (C00534676)	porta hinge		
P118	482000100470 (C00535029)			1 x 482000100032 (C00534574)	porta hinge spring		
P12	482000100452 (C00535011)			1 x 482000100016 (C00534558)	piatto rotante glass		
P13	482000100453 (C00535012)			1 x 482000100017 (C00534559)	targa splash mica sheer		
P14	482000100454 (C00535013)			1 x 482000100018 (C00534560)	cerniera super.		
P16	482000100455 (C00535014)				muffola		
P17	482000100456 (C00535015)			1 x 482000097111 (C00514147)	inserto portat. rear		
P18	482000100457 (C00535016)			1 x 482000100021 (C00534563)	mobile outer		
P22	482000100458 (C00535017)			1 x 480120101358 (C00389415)	squadretta air duct		
P23	482000100459 (C00535018)			1 x 482000100023 (C00534565)	interruttore mount		
P26	482000100460 (C00535019)			1 x 480120101361 (C00389417)	pedino		
P27	482000100461 (C00535020)			1 x 482000100025 (C00534567)	piastra base		
P28	482000100462 (C00535021)			1 x 482000100026 (C00534568)	cerniera infer.		
P29	482000100463 (C00535022)			1 x 482000100027 (C00534569)	scheda program face		
P34	482000100464 (C00535023)			1 x 482000100028 (C00534570)	maniglia		

P39	482000100466 (C00535025)		interruttore thin film
P460	482000100471 (C00535030)	1 x 482000100139 (C00534678)	fascetta insulated a
P461	482000100472 (C00535031)	1 x 482000100140 (C00534679)	fascetta insulated b
p10	482000100450 (C00535009)	1 x 482000100014 (C00534556)	perno
p36	482000100465 (C00535024)	1 x 482000100133 (C00534672)	resistenza barrier
p41	482000100467 (C00535026)	1 x 482000100135 (C00534674)	vaschetta metal